

PC, POC series

Ordering code

PC 6 01 □ □ - S

① ② ③ ④ ⑤ ⑥

① Model	② Port size	③ Thread connection	④ Standard color	⑤ Thread type	⑥ Material
PC: Male connector 	4: Φ 4mm 6: Φ 6mm 8: Φ 8mm 10: Φ 10mm 12: Φ 12mm	Thread connection: M5: M5X0.8 01: 1/8" 02: 1/4" 03: 3/8" 04: 1/2"	Adaptable port size: Φ 4, Φ 6 Standard color: Blank: Gray Specification: Release button: Gray D: Black Release button: Black	Blank: PT	S: Stainless steel 304
POC: Male connector 					

Specification

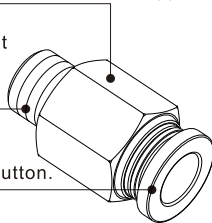
Operating pressure range	0~10kgf/cm²(0~1.0MPa)
Negative pressure	-750mmHg(10Torr)
Proof pressure	1.5MPa
Ambient and fluid temperature (°C)	-20~70
Applicable tubing	Soft nylon or polyurethane
Color	Grey/black

Table for interface port and tube O.D.

Product series	Thread type	Port size				
		Φ 4	Φ 6	Φ 8	Φ 10	Φ 12
PC	M5	●	●			
	1/8"	●	●	●	●	●
	1/4"	●	●	●	●	●
	3/8"		●	●	●	●
	1/2"		●	●	●	●
POC	M5	●	●			
	1/8"	●	●	●	●	
	1/4"	●	●	●	●	●
	3/8"		●	●	●	●
	1/2"		●	●	●	●

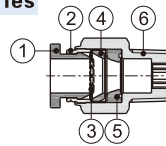
Product feature

1. Body material is stainless steel, and all parts don't contain copper.
2. The threaded portion is covered with sealant and the M5 thread is attached with a sealing gasket to prevent air leakage over the connection thread portion.
3. Grey and black are optional for the release button.



Inner structure

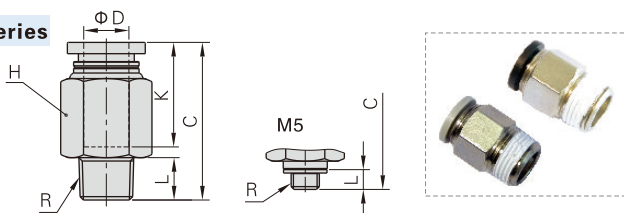
PC Series



No.	Item	Material
1	Release button	POM
2	Guide	Aluminum alloy
3	Spring gasket	Stainless steel
4	Chuck	POM
5	O-ring	NBR
6	Body	Stainless steel 304

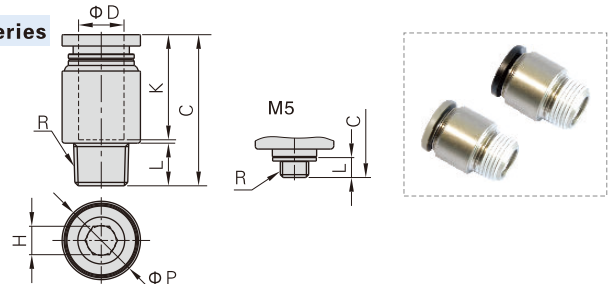
Dimensions

PC Series



Model/Item	Φ D	R	L	C	K	H(Across flat)	Weight(g)
PC4M5	4	M5×0.8	3.5	19.5	14	9	6
PC401		1/8"	7.5	19.5	14	10	6.5
PC402		1/4"	10	19.5	14	14	12.5
PC6M5	6	M5×0.8	3.5	22.5	16.5	12	8
PC601		1/8"	7.5	22.0	18.5	12	7
PC602		1/4"	10	24.5	18.5	14	14.5
PC603	3/8"	11	22.5	18.5	17	22	
PC604	1/2"	14	26.0	18.5	21	42	
PC801	8	1/8"	7.5	28	18.5	14	12.5
PC802		1/4"	10	27	18.5	14	12
PC803		3/8"	11	23.5	18.5	17	19.5
PC804	1/2"	14	27	18.5	21	40	
PC1001	10	1/8"	7.5	30	21	17	19
PC1002		1/4"	10	32.5	21	17	22
PC1003		3/8"	11	28	21	17	19
PC1004	1/2"	14	26.5	21	21	33	
PC1201	12	1/8"	7.5	32.5	23	21	35.5
PC1202		1/4"	10	35	23	21	37.5
PC1203		3/8"	11	30.5	23	21	26.5
PC1204		1/2"	14	32.5	23	21	38.5

POC Series



Model/Item	Φ D	R	Φ P	L	C	K	H(Across flat)	Weight(g)
POC4M5	4	M5×0.8	9	3.5	18.5	14	2.5	3.5
POC401		1/8"	10	7.5	18	14	3	5
POC402		1/4"	14	10	19.5	14	3	11.5
POC6M5	6	M5×0.8	12	3.5	21.5	16.5	2.5	5.5
POC601		1/8"	12	7.5	22.0	18.5	4	6
POC602		1/4"	14	10	22.0	18.5	4	11
POC801	8	1/8"	14	7.5	26.5	18	5	9
POC802		1/4"	14	10	25	18	6	9.5
POC803		3/8"	17	11	23.5	18	6	18
POC1001	10	1/8"	17	7.5	30	21	5	15.5
POC1002		1/4"	17	10	29	21	6	14.5
POC1003		3/8"	17	11	28	21	8	17.5
POC1004	1/2"	21	14	26.5	21	8	32.5	
POC1202	12	1/4"	21	10	34.5	23	6	30
POC1203		3/8"	21	11	30	23	8	23
POC1204		1/2"	21	14	32	23	8	34.5

One-touch fittings—threaded type

Ordering code

Same diameter type fittings

PL 6 01 □ □ - S

① ② ③ ④ ⑤ ⑥

① Model	② Port size	③ Thread connection	④ Standard color		⑤ Thread type	⑥ Material
PHW: Double universal male elbow 	PL: Male elbow 	Thread connection: Adaptable port size	Standard color:	Specification	Adaptable model	Blank: PT S: Stainless steel 304
PHF: Universal female elbow 	PLL: Extended male elbow 	M5: M5X0.8	Blank: Gray	Release button: Gray	PCF PMF	
PEB: Male branch tee 	PZB: Threaded cross 	④: Φ4mm ⑥: Φ6mm ⑧: Φ8mm ⑩: Φ10mm ⑫: Φ12mm	Φ4, Φ6	Release button: Gray Body: Gray	Others	
PED: Male run tee 	PH: Universal male elbow 	01: 1/8" 02: 1/4" 03: 3/8" 04: 1/2"	Φ4, Φ6 Φ8, Φ10 Φ12	Release button: Black	PCF PMF	
PYB: Branch "Y" 			D: Black	Release button: Black Body: Black	Others	

Different diameter type fittings

PKD 6 - 4 01 □ □ - S

① ② ③ ④ ⑤ ⑥ ⑦

① Model	② Port size	③ Port size	④ Thread connection	⑤ Standard color		⑥ Thread type	⑦ Material
PKD: Male reducer triple branch 	⑥: Φ6mm ⑧: Φ8mm ⑩: Φ10mm	④: Φ4mm ⑥: Φ6mm ⑧: Φ8mm	01: 1/8" 02: 1/4" 03: 3/8"	Standard color	Specification	Blank: PT	S: Stainless steel 304
				Blank: Gray	Release button: Gray/Body: Gray		
				D: Black	Release button: Black/Body: Black		

Specification

Operating pressure range	0~10kgf/cm ² (0~1.0MPa)
Negative pressure	-750mmHg(10Torr)
Proof pressure	1.5MPa
Ambient and fluid temperature (°C)	-20~70
Applicable tubing	Soft nylon or polyurethane
Color	Grey/black

Product feature

1. Stainless steel 304 material can be used for forbidding copper condition.
2. Variable models can be widely used in every kind of pneumatic systems.
3. High circulation performance: bear the same flow with the volume of the tubing inside diameter.
4. Connect tubing easily and conveniently. The tubing connection portion is safe and durable.
5. The threaded portion is covered with sealant and the M5 thread is attached with a sealing gasket to prevent air leakage over the connection thread portion.

Inner structure

No.	Item	Material
1	Release button	POM
2	Guide	Aluminum alloy
3	Spring gasket	Stainless steel
4	Chuck	POM
5	O-ring	NBR
6	Body	PBT
7	O-ring	NBR
8	Stud	SUS304

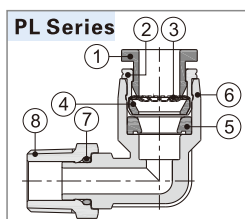


Table for interface port and tube O.D.

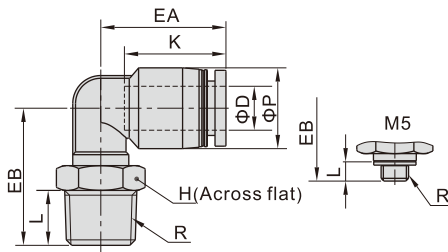
Product series	Thread type	Port size				
		Φ4	Φ6	Φ8	Φ10	Φ12
PL	M5	●	●			
	1/8"	●	●	●	●	●
	1/4"	●	●	●	●	●
	3/8"		●	●	●	●
	1/2"			●	●	●
PLL	M5	●	●			
	1/8"	●	●	●	●	
	1/4"	●	●	●	●	●
	3/8"		●	●	●	●
	1/2"			●	●	●
PEB PED PYB	M5	●	●			
	1/8"	●	●	●	●	
	1/4"	●	●	●	●	●
	3/8"		●	●	●	●
	1/2"			●	●	●
PH PHF	M5	●	●			
	1/8"	●	●	●		
	1/4"		●	●	●	
	3/8"		●	●	●	●
	1/2"			●	●	●
PHW	1/8"	●	●	●		
	1/4"		●	●	●	
	3/8"		●	●	●	●
	1/2"			●	●	●
	1/8"		●	●		
PZB	1/4"		●	●	●	
	3/8"		●	●	●	●
	1/2"			●	●	●

Product series	Thread type	Port size		
		Φ6-Φ4	Φ8-Φ6	Φ10-Φ8
PKD	1/8"	●		
	1/4"		●	
	3/8"			●

One-touch fittings—threaded type

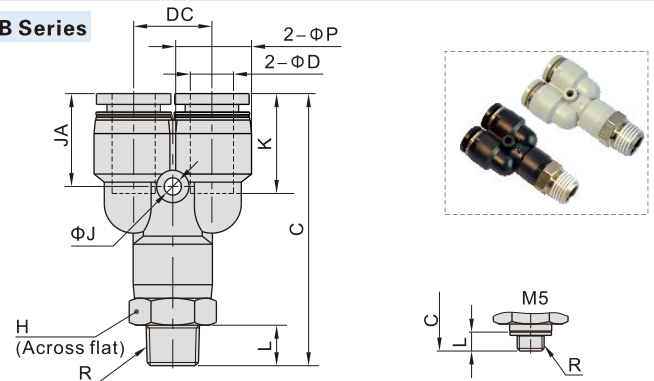
Dimensions

PL Series



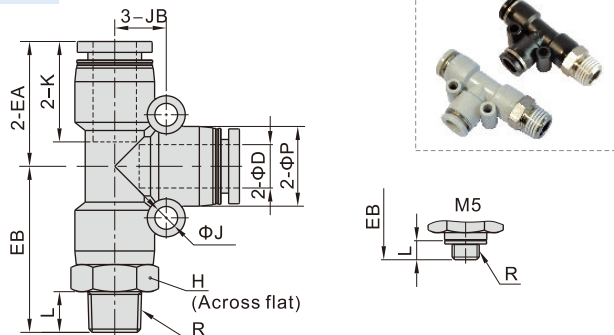
Model\Item	ΦD	R	ΦP	L	K	EA	EB	H	Weight(g)
PL4M5	4	M5×0.8	9	3.5	14	17	15	8	3
PL401		1/8"	9	7.5	14	17	18.5	10	4.5
PL402		1/4"	9	10	14	17	22.0	14	11
PL6M5	6	M5×0.8	12.5	3.5	17	20	17.0	8	4.5
PL601		1/8"	12.5	7.5	17	20	20.5	10	6
PL602		1/4"	12.5	10	17	20	24.0	14	12.5
PL603	6	3/8"	12.5	11	17	20	25.5	17	19
PL604		1/2"	12.5	14	17	20	30.0	21	33
PL801		1/8"	15	7.5	18.5	23	20.5	10	7
PL802	8	1/4"	15	10	18.5	23	25.0	14	12
PL803		3/8"	15	11	18.5	23	26.5	17	19.5
PL804		1/2"	15	14	18.5	23	31.0	21	33
PL1001	10	1/8"	18	7.5	21	25.5	25.0	17	15.5
PL1002		1/4"	18	10	21	25.5	27.0	17	18
PL1003		3/8"	18	11	21	25.5	28.0	17	20
PL1004	10	1/2"	18	14	21	25.5	32.5	21	34.5
PL1201		1/8"	21	7.5	23	28.5	26.5	17	18
PL1202		1/4"	21	10	23	28.5	28.5	17	20.5
PL1203	12	3/8"	21	11	23	29.5	33	17	24
PL1204		1/2"	21	14	23	29.5	34	21	34.5

PYB Series



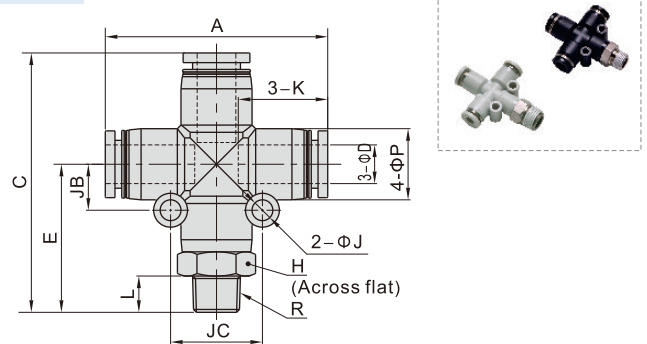
Model\Item	ΦD	R	ΦP	L	C	K	ΦJ	JA	DC	H	Weight(g)
PYB4M5	4	M5×0.8	9	3.5	35.5	14	3.2	13	10	9	6.5
PYB401		1/8"	9	7.5	39.5	14	3.2	13	10	10	8.5
PYB402		1/4"	9	10	42.5	14	3.2	13	10	14	10
PYB6M5	6	M5×0.8	12.5	3.5	40.5	16.5	3.2	15.5	12	12	10.5
PYB601		1/8"	12.5	7.5	44.5	16.5	3.2	15.5	12	12	13
PYB602		1/4"	12.5	10	47.5	16.5	3.2	15.5	12	14	17
PYB603	6	3/8"	12.5	11	49.0	16.5	3.2	15.5	12	17	23.5
PYB801		1/8"	15	7.5	50	18.5	3.2	17	14.5	14	19
PYB802		1/4"	15	10	52.5	18.5	3.2	17	14.5	14	21
PYB803	8	3/8"	15	11	54	18.5	3.2	17	14.5	17	26
PYB804		1/2"	15	14	58	18.5	3.2	17	14.5	21	38
PYB1001		1/8"	18	7.5	56.5	21	4.3	19.5	18	17	26
PYB1002	10	1/4"	18	10	59	21	4.3	19.5	18	17	28
PYB1003		3/8"	18	11	60	21	4.3	19.5	18	17	31
PYB1004		1/2"	18	14	64	21	4.3	19.5	18	21	42.5
PYB1202	12	1/4"	21	10	66	23	4.3	21	20.5	21	26.5
PYB1203		3/8"	21	11	67	23	4.3	21	20.5	21	49
PYB1204		1/2"	21	14	70	23	4.3	21	20.5	21	53.5

PED Series



Model\Item	ΦD	R	ΦP	L	K	EA	EB	ΦJ	JB	H	Weight(g)
PED4M5	4	M5×0.8	9	3.5	14	17	21	3.2	6.5	9	6.5
PED401		1/8"	9	7.5	14	17	25	3.2	6.5	10	8.5
PED402		1/4"	9	10	14	17	28	3.2	6.5	14	14.5
PED6M5	6	M5×0.8	12.5	3.5	16.5	20	23.5	3.2	8	12	10.5
PED601		1/8"	12.5	7.5	16.5	20	27.5	3.2	8	12	13
PED602		1/4"	12.5	10	16.5	20	30.5	3.2	8	14	17.5
PED603	6	3/8"	12.5	11	16.5	20	32	3.2	8	17	23.5
PED801		1/8"	15	7.5	18.5	23	30.5	4.3	9.5	14	17.5
PED802		1/4"	15	10	18.5	23	33	4.3	9.5	14	20
PED803	8	3/8"	15	11	18.5	23	34.5	4.3	9.5	17	26.5
PED804		1/2"	15	14	18.5	23	38.5	4.3	9.5	21	38
PED1001		1/8"	18	7.5	21	26.5	34	4.3	11	17	25.5
PED1002	10	1/4"	18	10	21	26.5	36.5	4.3	11	17	27.5
PED1003		3/8"	18	11	21	26.5	37.5	4.3	11	17	30
PED1004		1/2"	18	14	21	26.5	41.5	4.3	11	21	42.5
PED1202	12	1/4"	21	10	23	30	41	4.3	13	21	47
PED1203		3/8"	21	11	23	30	42	4.3	13	21	48.5
PED1204		1/2"	21	14	23	30	45	4.3	13	21	54

PZB Series

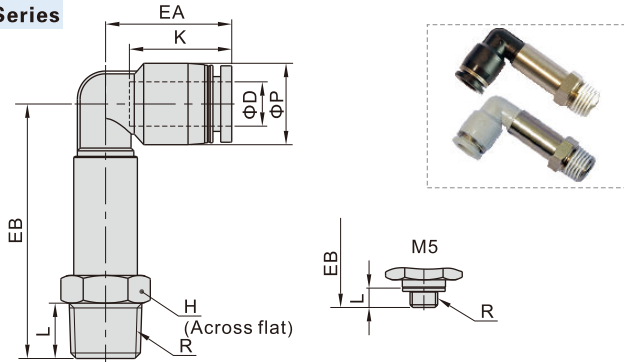


Model\Item	ΦD	R	L	A	E	C	ΦP	K	ΦJ	JB	JC	H	Weight(g)
PZB601	6	1/8"	7.5		27.5	47.5	12.5	16.5	3.2	8	16	12	14.5
PZB602		1/4"	10	39.5	30.5	50.5	12.5	16.5	3.2	8	16	14	19.5
PZB603		3/8"	11		32	52	12.5	16.5	3.2	8	16	17	25.5
PZB801	8	1/8"	7.5		30.5	53.5	15	18.5	4.3	9.5	19	14	20
PZB802		1/4"	10	46	33	56	15	18.5	4.3	9.5	19	14	22.5
PZB803		3/8"	11		34.5	57.5	15	18.5	4.3	9.5	19	17	28
PZB804	8	1/2"	14		38.5	61.5	15	18.5	4.3	9.5	19	21	40.5
PZB1002		1/4"	10		36.5	63	15	18.5	4.3	9.5	19	17	32
PZB1003		3/8"	11	52.5	37.5	64	18	21	4.3	11	22	17	35
PZB1004	10	1/2"	14		41.5	68	18	21	4.3	11	22	21	46.5
PZB1203		3/8"	11	59.5	42	72	21	23	4.3	13	26	21	53.5
PZB1204		1/2"	14		45	75	21	23	4.3	13	26	21	62

Accessories—One-Touch Fittings(Stainless steel)

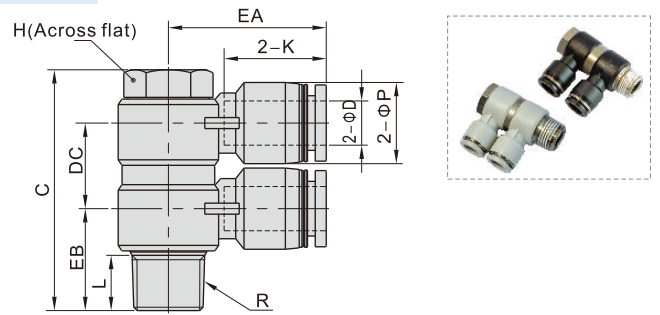
One-touch fittings—threaded type

PLL Series



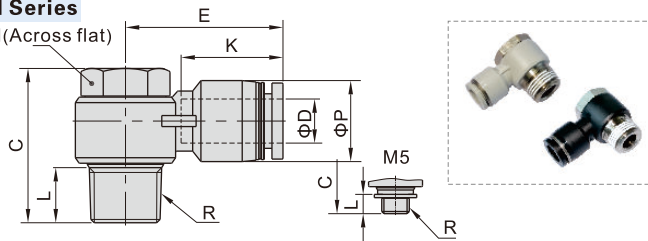
Model\Item	ΦD	R	ΦP	L	K	EA	EB	H	Weight(g)
PLL4M5	4	M5×0.8	9	3.5	14	17	32.5	8	8
PLL401	4	1/8"	9	7.5	14	17	35.5	10	11.5
PLL402	4	1/4"	9	10	14	17	38.5	14	15.5
PLL6M5	6	M5×0.8	12.5	3.5	17	20	34.5	8	9.5
PLL601	6	1/8"	12.5	7.5	17	20	37.5	10	12
PLL602	6	1/4"	12.5	10	17	20	40.5	14	16.5
PLL603	6	3/8"	12.5	11	17	20	43	17	21.5
PLL801	8	1/8"	15	7.5	18.5	23	43.5	12	15.5
PLL802	8	1/4"	15	10	18.5	23	45.5	14	21
PLL803	8	3/8"	15	11	18.5	23	48	17	25.5
PLL1001	10	1/8"	18	7.5	21	25.5	50.5	15	35
PLL1002	10	1/4"	18	10	21	25.5	53.5	15	37.5
PLL1003	10	3/8"	18	11	21	25.5	54.5	17	38
PLL1004	10	1/2"	18	14	21	25.5	59	21	44
PLL1202	12	1/4"	21	10	23	28.5	55.5	15	40
PLL1203	12	3/8"	21	11	23	29.5	60	17	51.5
PLL1204	12	1/2"	21	14	23	29.5	63	21	52.5

PHW Series



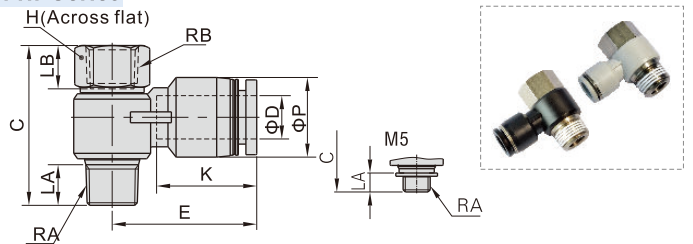
Model\Item	ΦD	R	ΦP	L	C	K	EA	EB	DC	H	Weight(g)
PHW401	4	1/8"	9	7.5	38	14	20.5	14.5	13	11	17.5
PHW601	6	1/8"	12.5	7.5	38	16.5	23.0	15	13	11	19.5
PHW602	6	1/4"	12.5	10	43.5	16.5	25.0	17.5	15.5	14	37.5
PHW603	6	3/8"	12.5	11	50	16.5	27.0	20	16.5	19	64
PHW801	8	1/8"	15	7.5	40.5	18.5	26.5	16.5	15.5	11	22.5
PHW802	8	1/4"	15	10	43.5	18.5	28.5	18.5	15.5	14	38
PHW803	8	3/8"	15	11	50	18.5	29.5	20	16.5	19	65
PHW804	8	1/2"	15	14	61	18.5	32	24.5	22	24	133.5
PHW1002	10	1/4"	18	10	46.5	21	31	20	18.5	14	44
PHW1003	10	3/8"	18	11	55	21	33	21	22	19	81.5
PHW1004	10	1/2"	18	14	61	21	35.5	25	22	24	127.5
PHW1203	12	3/8"	21	11	55	23	36	23	22	19	80.5
PHW1204	12	1/2"	21	14	61	23	38	26.5	22	24	137.5

PH Series



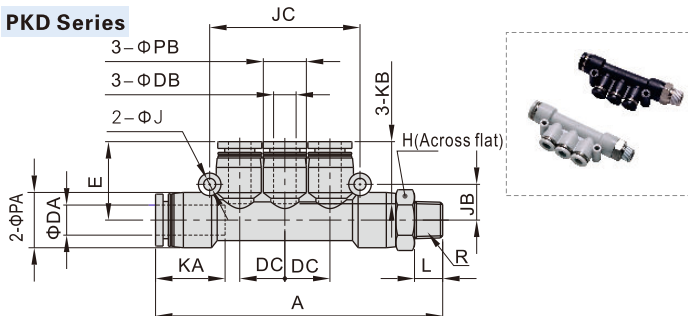
Model\Item	ΦD	R	ΦP	L	C	K	E	H	Weight(g)
PH4M5	4	M5×0.8	9	3.5	17	14	19	8	5.5
PH401	4	1/8"	9	7.5	25	14	20.5	11	12
PH6M5	6	M5×0.8	12.5	3.5	17	16.5	23.5	8	6.5
PH601	6	1/8"	12.5	7.5	25	16.5	23	11	13
PH602	6	1/4"	12.5	10	28	16.5	25	14	23.5
PH603	6	3/8"	12.5	11	33	16.5	27	19	46.5
PH801	8	1/8"	15	7.5	25	18.5	26.5	11	14
PH802	8	1/4"	15	10	28	18.5	28.5	14	24.5
PH803	8	3/8"	15	11	33	18.5	29.5	19	45.5
PH804	8	1/2"	15	14	39	18.5	32	24	82
PH1002	10	1/4"	18	10	28	21	31	14	26
PH1003	10	3/8"	18	11	33	21	33	19	47.5
PH1004	10	1/2"	18	14	39	21	35.5	24	81.5
PH1203	12	3/8"	21	11	33	23	36	19	49.5
PH1204	12	1/2"	21	14	39	23	38	24	86

PHF Series



Model\Item	ΦD	RA	RB	ΦP	LA	LB	C	K	E	H	Weight(g)
PHF4M5	4	M5×0.8	M5×0.8	9	3.5	6	20	14	19	8	6
PHF401	4	1/8"	1/8"	9	7.5	8	29.5	14	20.5	12	12
PHF6M5	6	M5×0.8	M5×0.8	12.5	3.5	6	20	16.5	23.5	8	7
PHF601	6	1/8"	1/8"	12.5	7.5	8	29.5	16.5	23	12	13
PHF602	6	1/4"	1/4"	12.5	10	11	35	16.5	25	17	28
PHF603	6	3/8"	3/8"	12.5	11	12	40	16.5	27	19	41
PHF801	8	1/8"	1/8"	15	7.5	8	29.5	18.5	26.5	12	14
PHF802	8	1/4"	1/4"	15	10	11	35	18.5	28.5	17	28.5
PHF803	8	3/8"	3/8"	15	11	12	40	18.5	29.5	19	41.5
PHF804	8	1/2"	1/2"	15	14	13.5	47.5	18.5	32	24	78
PHF1002	10	1/4"	1/4"	18	10	11	35	21	31	17	30
PHF1003	10	3/8"	3/8"	18	11	12	40	21	33	19	43
PHF1004	10	1/2"	1/2"	18	14	13.5	47.5	21	35.5	24	79.5
PHF1203	12	3/8"	3/8"	21	11	12	40	23	36	19	45
PHF1204	12	1/2"	1/2"	21	14	13.5	47.5	23	38	24	83

PKD Series

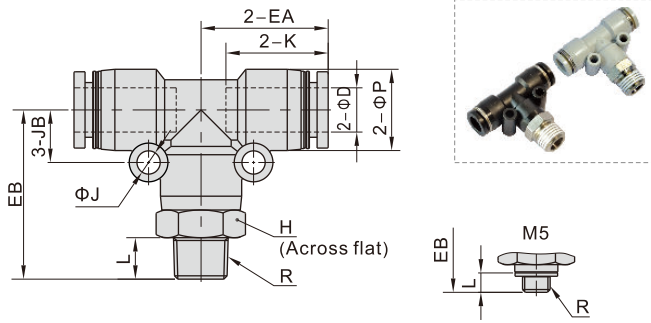


Model\Item	ΦDA	ΦDB	R	L	A	ΦPA	ΦPB	KA
PKD6-401	6	4	1/8"	7.5	66.5	12.5	9	16.5
PKD8-602	8	6	1/4"	10	79	15	12.5	18.5
PKD10-803	10	8	3/8"	11	91.5	18	15	21

Model\Item	KB	ΦJ	JB	JC	DC	E	H	Weight(g)
PKD6-401	14	3.2	8	34	10	17.5	12	15
PKD8-602	16.5	3.2	9.5	40	12	21	14	25.5
PKD10-803	18.5	4.3	11	48	14.5	24	17	36.5

One-touch fittings—threaded type

PEB Series



Model\Item	φD	R	φP	L	K	EA	EB	φJ	JB	H	Weight(g)
PEB4M5	4	M5×0.8	9	3.5	14	17	21	3.2	6.5	9	6.5
PEB401		1/8"	9	7.5	14	17	25	3.2	6.5	10	8.5
PEB402		1/4"	9	10	14	17	28	3.2	6.5	14	14.5
PEB6M5	6	M5×0.8	12.5	3.5	16.5	20	23.5	3.2	8	12	10.5
PEB601		1/8"	12.5	7.5	16.5	20	27.5	3.2	8	12	13
PEB602		1/4"	12.5	10	16.5	20	30.5	3.2	8	14	17.5
PEB603		3/8"	12.5	11	16.5	20	32	3.2	8	17	23.5
PEB801	8	1/8"	15	7.5	18.5	23	30.5	4.3	9.5	14	17.5
PEB802		1/4"	15	10	18.5	23	33	4.3	9.5	14	20
PEB803		3/8"	15	11	18.5	23	34.5	4.3	9.5	17	26.5
PEB804		1/2"	15	14	18.5	23	38.5	4.3	9.5	21	38
PEB1001	10	1/8"	18	7.5	21	26.5	34	4.3	11	17	25.5
PEB1002		1/4"	18	10	21	26.5	36.5	4.3	11	17	27.5
PEB1003		3/8"	18	11	21	26.5	37.5	4.3	11	17	30
PEB1004		1/2"	18	14	21	26.5	41.5	4.3	11	21	42.5
PEB1202	12	1/4"	21	10	23	30	41	4.3	13	21	47
PEB1203		3/8"	21	11	23	30	42	4.3	13	21	48.5
PEB1204		1/2"	21	14	23	30	45	4.3	13	21	54