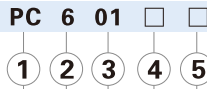


PC, POC series

Ordering code



| ① Model | ② Port size | ③ Thread connection | | ④ Standard color | | ⑤ Thread type |
|-------------------------|--|--|--|------------------|-----------------------|---------------|
| PC: Male connector | 4: Φ 4mm 6: Φ 6mm 8: Φ 8mm 10: Φ 10mm 12: Φ 124mm | Thread connection | Adaptable port size | Standard color | Specification | Blank: PT |
| POC: Male connector | | M5: M5X0.8 | Φ 4, Φ 6 | Blank: Gray | Release button: Gray | |
| | | 01: 1/8" 02: 1/4" 03: 3/8" 04: 1/2" | Φ 4, Φ 6 Φ 8, Φ 10 Φ 12 | D: Black | Release button: Black | |

Specification

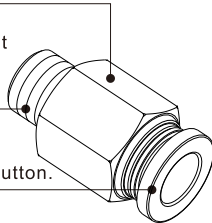
| Operating pressure range | 0~10kgf/cm ² (0~1.0MPa) |
|------------------------------------|------------------------------------|
| Negative pressure | -750mmHg(10Torr) |
| Proof pressure | 1.5MPa |
| Ambient and fluid temperature (°C) | -20~70 |
| Applicable tubing | Soft nylon or polyurethane |
| Color | Grey/black |

Table for interface port and tube O.D.

| Product series | Thread type | Port size | | | | |
|----------------|-------------|-----------|----------|----------|-----------|-----------|
| | | Φ 4 | Φ 6 | Φ 8 | Φ 10 | Φ 12 |
| PC | M5 | ● | ● | | | |
| | 1/8" | ● | ● | ● | ● | ● |
| | 1/4" | ● | ● | ● | ● | ● |
| | 3/8" | | ● | ● | ● | ● |
| | 1/2" | | ● | ● | ● | ● |
| POC | M5 | ● | ● | | | |
| | 1/8" | ● | ● | ● | ● | |
| | 1/4" | ● | ● | ● | ● | ● |
| | 3/8" | | ● | ● | ● | ● |
| | 1/2" | | ● | ● | ● | ● |

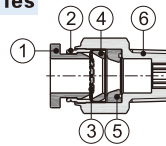
Product feature

- The compact appearance space saving.
- The threaded portion is covered with sealant and the M5 thread is attached with a sealing gasket to prevent air leakage over the connection thread portion.
- Grey and black are optional for the release button.



Inner structure

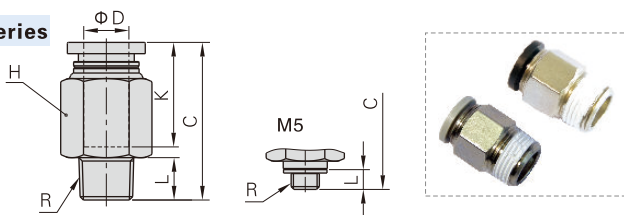
PC Series



| No. | Item | Material |
|-----|----------------|-----------------|
| 1 | Release button | POM |
| 2 | Guide | Aluminum alloy |
| 3 | Spring gasket | Stainless steel |
| 4 | Chuck | POM |
| 5 | O-ring | NBR |
| 6 | Body | Brass |

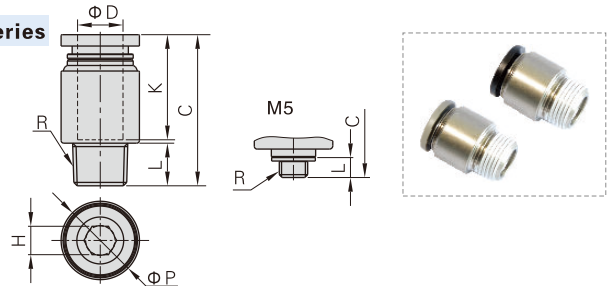
Dimensions

PC Series



| Model/Item | Φ D | R | L | C | K | H(Across flat) | Weight(g) |
|------------|----------|--------|------|------|------|----------------|-----------|
| PC4M5 | 4 | M5×0.8 | 3.5 | 19.5 | 14 | 9 | 6.5 |
| PC401 | | 1/8" | 7.5 | 19.5 | 14 | 10 | 7 |
| PC402 | | 1/4" | 10 | 19.5 | 14 | 14 | 13.5 |
| PC6M5 | 6 | M5×0.8 | 3.5 | 22.5 | 16.5 | 12 | 8.5 |
| PC601 | | 1/8" | 7.5 | 22.0 | 18.5 | 12 | 7.5 |
| PC602 | | 1/4" | 10 | 24.5 | 18.5 | 14 | 15.5 |
| PC603 | 3/8" | 11 | 22.5 | 18.5 | 17 | 24 | |
| PC604 | 1/2" | 14 | 26.0 | 18.5 | 21 | 46 | |
| PC801 | 8 | 1/8" | 7.5 | 28 | 18.5 | 14 | 13.5 |
| PC802 | | 1/4" | 10 | 27 | 18.5 | 14 | 13 |
| PC803 | | 3/8" | 11 | 23.5 | 18.5 | 17 | 21 |
| PC804 | 1/2" | 14 | 27 | 18.5 | 21 | 43.5 | |
| PC1001 | 10 | 1/8" | 7.5 | 30 | 21 | 17 | 20.5 |
| PC1002 | | 1/4" | 10 | 32.5 | 21 | 17 | 24 |
| PC1003 | | 3/8" | 11 | 28 | 21 | 17 | 20.5 |
| PC1004 | 1/2" | 14 | 26.5 | 21 | 21 | 36 | |
| PC1201 | 12 | 1/8" | 7.5 | 32.5 | 23 | 21 | 38.5 |
| PC1202 | | 1/4" | 10 | 35 | 23 | 21 | 40.5 |
| PC1203 | | 3/8" | 11 | 30.5 | 23 | 21 | 28.5 |
| PC1204 | | 1/2" | 14 | 32.5 | 23 | 21 | 41.5 |

POC Series



| Model/Item | Φ D | R | Φ P | L | C | K | H(Across flat) | Weight(g) |
|------------|----------|--------|----------|------|------|------|----------------|-----------|
| POC4M5 | 4 | M5×0.8 | 9 | 3.5 | 18.5 | 14 | 2.5 | 3.6 |
| POC401 | | 1/8" | 10 | 7.5 | 18 | 14 | 3 | 5.5 |
| POC402 | | 1/4" | 14 | 10 | 19.5 | 14 | 3 | 12.6 |
| POC6M5 | 6 | M5×0.8 | 12 | 3.5 | 21.5 | 16.5 | 2 | 5.9 |
| POC601 | | 1/8" | 12 | 7.5 | 22.0 | 18.5 | 4 | 6.3 |
| POC602 | | 1/4" | 14 | 10 | 22.0 | 18.5 | 4 | 11.8 |
| POC801 | 8 | 1/8" | 14 | 7.5 | 26.5 | 18 | 5 | 9.9 |
| POC802 | | 1/4" | 14 | 10 | 25 | 18 | 6 | 10.1 |
| POC803 | | 3/8" | 17 | 11 | 23.5 | 18 | 6 | 19.3 |
| POC1001 | 10 | 1/8" | 17 | 7.5 | 30 | 21 | 5 | 16.5 |
| POC1002 | | 1/4" | 17 | 10 | 29 | 21 | 6 | 15.4 |
| POC1003 | | 3/8" | 17 | 11 | 28 | 21 | 8 | 18.7 |
| POC1004 | 1/2" | 21 | 14 | 26.5 | 21 | 8 | 35.3 | |
| POC1202 | 12 | 1/4" | 21 | 10 | 34.5 | 23 | 6 | 32.3 |
| POC1203 | | 3/8" | 21 | 11 | 30 | 23 | 8 | 25.1 |
| POC1204 | | 1/2" | 21 | 14 | 32 | 23 | 8 | 37.5 |

Ordering code

PC 6 01 □ □ - M

① ② ③ ④ ⑤ ⑥

| ① Model | ② Port size | ③ Thread connection | | ④ Standard color | | ⑤ Thread type | ⑥ Style type |
|------------------------|--|----------------------------|---------------------|-----------------------|---------------|---------------|--------------|
| PC: Male connector | 3.2: $\Phi 3.2\text{mm}$ 4: $\Phi 4\text{mm}$ 6: $\Phi 6\text{mm}$ | Thread connection | Adaptable port size | Standard color | Specification | Blank: PT | M: Mini type |
| M3: M3X0.5 | | $\Phi 3.2, \Phi 4$ | Blank: Gray | Release button: Gray | | | |
| M5: M5X0.8 | | $\Phi 3.2, \Phi 4, \Phi 6$ | D: Black | Release button: Black | | | |
| PL: Male elbow | | 01: 1/8" | $\Phi 4, \Phi 6$ | | | | |

Specification

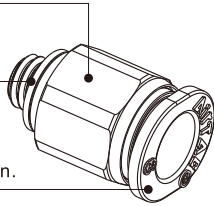
| | |
|------------------------------------|---|
| Operating pressure range | 0~10kgf/cm²(0~1.0MPa) |
| Negative pressure | -750mmHg(10Torr) |
| Proof pressure | 1.5MPa |
| Ambient and fluid temperature (°C) | -20~70 |
| Applicable tubing | Soft nylon or polyurethane |
| Color | Grey/black |

Table for interface port and tube O.D.

| Product series | Thread type | Port size | | |
|----------------|-------------|------------|----------|----------|
| | | $\Phi 3.2$ | $\Phi 4$ | $\Phi 6$ |
| PC/PL | M3 | ● | ● | |
| | M5 | ● | ● | ● |
| | 1/8" | | ● | ● |

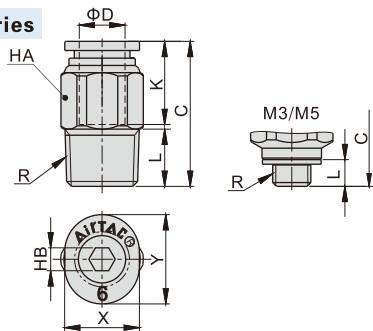
Product feature

- The compact appearance space saving.
- The threaded portion is covered with sealant and the M3/M5 thread is attached with a sealing gasket to prevent air leakage over the connection thread portion.
- Grey and black are optional for the release button.



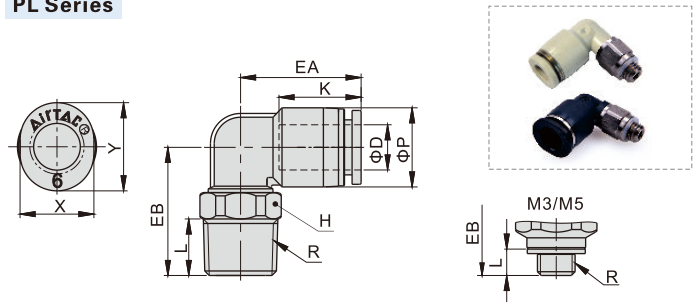
Dimensions

PC Series



| Model/Item | ΦD | R | L | C | K | X | Y | HA | HB | Weight(g) |
|------------|----------|--------|-----|------|------|-----|------|----|-----|-----------|
| PC3.2M3-M | 3.2 | M3×0.5 | 3 | 16 | 11.5 | 6.8 | 8.7 | 7 | 1.5 | 1.7 |
| PC3.2M5-M | | M5×0.8 | 3.5 | 16 | 11.5 | 6.8 | 8.7 | 7 | 2 | 2.0 |
| PC4M3-M | 4 | M3×0.5 | 3 | 17.5 | 12.5 | 7.8 | 9.5 | 8 | 1.5 | 2.4 |
| PC4M5-M | | M5×0.8 | 3.5 | 17 | 12.5 | 7.8 | 9.5 | 8 | 2 | 2.7 |
| PC401-M | | 1/8" | 7.5 | 17.5 | 13.5 | 7.8 | 9.5 | 10 | 3 | 5.5 |
| PC6M5-M | 6 | M5×0.8 | 3.5 | 18.5 | 13.5 | 9.8 | 11.7 | 10 | 2 | 3.6 |
| PC601-M | | 1/8" | 7.5 | 19.0 | 15.5 | 9.8 | 11.7 | 10 | 4 | 6.0 |

PL Series



| Model/Item | ΦD | R | ΦP | L | K | EA | EB | H | X | Y | Weight(g) |
|------------|----------|--------|----------|------|------|------|------|-----|------|------|-----------|
| PL3.2M3-M | 3.2 | M3×0.5 | 7.5 | 3 | 12 | 14.5 | 14 | 7 | 6.8 | 8.7 | 2.4 |
| PL3.2M5-M | | M5×0.8 | 3.5 | 12 | 14.5 | 7 | 6.8 | 8.7 | 2.7 | | |
| PL4M3-M | 4 | M3×0.5 | 3 | 12.5 | 14 | 7 | 7.8 | 9.5 | 3.0 | | |
| PL4M5-M | | M5×0.8 | 8.5 | 3.5 | 12.5 | 15 | 14.5 | 7 | 7.8 | 9.5 | 3.3 |
| PL401-M | | 1/8" | 7.5 | 12.5 | 16 | 10 | 7.8 | 9.5 | 6.2 | | |
| PL6M5-M | 6 | M5×0.8 | 10.5 | 3.5 | 13.5 | 16.0 | 15.5 | 7 | 9.8 | 11.7 | 4.0 |
| PL601-M | | 1/8" | 7.5 | 13.5 | 16.0 | 16.5 | 10 | 9.8 | 11.7 | 6.8 | |

One-touch fittings—threaded type

Ordering code

Same diameter type fittings

PL 6 01 □ □

① ② ③ ④ ⑤

| ① Model | ② Port size | ③ Thread connection | ④ Standard color | | ⑤ Thread type |
|--------------------------------------|------------------------------|---|------------------|-----------------------|-----------------|
| PHW: Double universal male elbow | PL: Male elbow | Thread connection | Standard color | Specification | Adaptable model |
| PHF: Universal female elbow | PLL: Extended male elbow | M5: M5X0.8 | Blank: Gray | Release button: Gray | PCF PMF |
| PEB: Male branch tee | PLF: Female elbow | 4: Φ4mm 6: Φ6mm 8: Φ8mm 10: Φ10mm 12: Φ12mm | D: Black | Body: Gray | Others |
| PED: Male run tee | PCF: Female connector | | | Release button: Black | PCF PMF |
| PYB: Branch "Y" | PMF: Bulkhead connector | 01: 1/8" 02: 1/4" 03: 3/8" 04: 1/2" | D: Black | Release button: Black | Others |
| PZB: Threaded cross | PH: Universal male elbow | | | Body: Black | |

Different diameter type fittings

PKD 6 - 4 01 □ □

① ② ③ ④ ⑤ ⑥

| ① Model | ② Port size | ③ Port size | ④ Thread connection | ⑤ Standard color | ⑥ Thread type | |
|-------------------------------------|---------------------------------|-------------------------------|----------------------------------|---|---|-----------|
| PKD: Male reducer triple branch | 6: Φ6mm 8: Φ8mm 10: Φ10mm | 4: Φ4mm 6: Φ6mm 8: Φ8mm | 01: 1/8" 02: 1/4" 03: 3/8" | Standard color: Blank: Gray D: Black | Specification: Release button: Gray/Body: Gray Release button: Black/Body: Black | Blank: PT |

Specification

| Operating pressure range | 0~10kgf/cm ² (0~1.0MPa) |
|------------------------------------|------------------------------------|
| Negative pressure | -750mmHg(10Torr) |
| Proof pressure | 1.5MPa |
| Ambient and fluid temperature (°C) | -20~70 |
| Applicable tubing | Soft nylon or polyurethane |
| Color | Grey/black |

Product feature

- Variable models can be widely used in every kind of pneumatic systems.
- High circulation performance: bear the same flow with the volume of the tubing inside diameter.
- Connect tubing easily and conveniently. The tubing connection portion is safe and durable.
- The threaded portion is covered with sealant and the M5 thread is attached with a sealing gasket to prevent air leakage over the connection thread portion.
- The nickel plated body is anti-corrosion and anti-pollution, which allows a broader application.

Inner structure

| No. | Item | Material |
|-----|----------------|-----------------|
| 1 | Release button | POM |
| 2 | Guide | Aluminum alloy |
| 3 | Spring gasket | Stainless steel |
| 4 | Chuck | POM |
| 5 | O-ring | NBR |
| 6 | Body | PBT |
| 7 | O-ring | NBR |
| 8 | Stud | Brass |

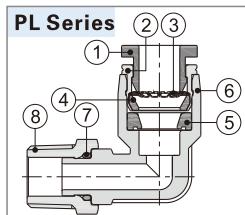


Table for interface port and tube O.D.

| Product series | Thread type | Port size | | | | |
|-------------------|-------------|-----------|----|----|-----|-----|
| | | Φ4 | Φ6 | Φ8 | Φ10 | Φ12 |
| PL | M5 | ● | ● | | | |
| | 1/8" | ● | ● | ● | ● | ● |
| | 1/4" | ● | ● | ● | ● | ● |
| | 3/8" | | ● | ● | ● | ● |
| PLL | M5 | ● | ● | | | |
| | 1/8" | ● | ● | ● | ● | ● |
| | 1/4" | ● | ● | ● | ● | ● |
| | 3/8" | | ● | ● | ● | ● |
| PEB PED PYB | M5 | ● | ● | | | |
| | 1/8" | ● | ● | ● | ● | ● |
| | 1/4" | ● | ● | ● | ● | ● |
| | 3/8" | | ● | ● | ● | ● |
| PH PHF | M5 | ● | ● | | | |
| | 1/8" | ● | ● | ● | | |
| | 1/4" | | ● | ● | ● | |
| | 3/8" | | ● | ● | ● | ● |
| PHW | 1/8" | ● | ● | ● | | |
| | 1/4" | | ● | ● | ● | |
| | 3/8" | | ● | ● | ● | ● |
| | 1/2" | | | ● | ● | ● |
| PZB | 1/8" | | ● | ● | | |
| | 1/4" | | ● | ● | ● | |
| | 3/8" | | ● | ● | ● | ● |

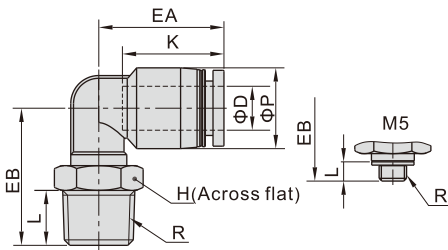
| Product series | Thread type | Port size | | | | |
|----------------|-------------|-----------|----|----|-----|-----|
| | | Φ4 | Φ6 | Φ8 | Φ10 | Φ12 |
| PLF | M5 | ● | ● | | | |
| | 1/8" | ● | ● | ● | ● | |
| | 1/4" | ● | ● | ● | ● | ● |
| | 3/8" | | ● | ● | ● | ● |
| PCF | M5 | ● | ● | | | |
| | 1/8" | ● | ● | ● | ● | |
| | 1/4" | ● | ● | ● | ● | ● |
| | 3/8" | | ● | ● | ● | ● |
| PMF | M5 | ● | ● | | | |
| | 1/8" | ● | ● | ● | ● | |
| | 1/4" | ● | ● | ● | ● | ● |
| | 3/8" | | ● | ● | ● | ● |
| 1/2" | | | ● | ● | ● | ● |

| Product series | Thread type | Port size | | |
|----------------|-------------|-----------|-------|--------|
| | | Φ6-Φ4 | Φ8-Φ6 | Φ10-Φ8 |
| PKD | 1/8" | ● | | |
| | 1/4" | | ● | |
| | 3/8" | | | ● |

One-touch fittings—threaded type

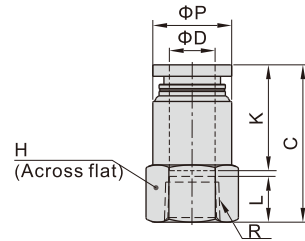
Dimensions

PL Series



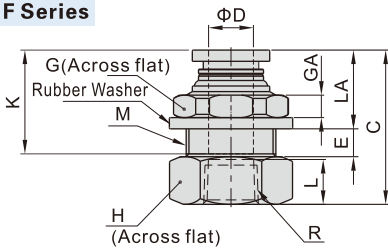
| Model\Item | ΦD | R | ΦP | L | K | EA | EB | H | Weight(g) |
|------------|----|--------|------|-----|------|------|------|----|-----------|
| PL4M5 | 4 | M5×0.8 | 9 | 3.5 | 14 | 17 | 15 | 8 | 3 |
| PL401 | | 1/8" | 9 | 7.5 | 14 | 17 | 18.5 | 10 | 4.5 |
| PL402 | | 1/4" | 9 | 10 | 14 | 17 | 22.0 | 14 | 12 |
| PL6M5 | 6 | M5×0.8 | 12.5 | 3.5 | 17 | 20 | 17.0 | 8 | 4.5 |
| PL601 | | 1/8" | 12.5 | 7.5 | 17 | 20 | 20.5 | 10 | 6 |
| PL602 | | 1/4" | 12.5 | 10 | 17 | 20 | 24.0 | 14 | 13.5 |
| PL603 | 6 | 3/8" | 12.5 | 11 | 17 | 20 | 25.5 | 17 | 20.5 |
| PL604 | | 1/2" | 12.5 | 14 | 17 | 20 | 30.0 | 21 | 36 |
| PL801 | | 1/8" | 15 | 7.5 | 18.5 | 23 | 20.5 | 10 | 7.5 |
| PL802 | 8 | 1/4" | 15 | 10 | 18.5 | 23 | 25.0 | 14 | 13 |
| PL803 | | 3/8" | 15 | 11 | 18.5 | 23 | 26.5 | 17 | 21 |
| PL804 | | 1/2" | 15 | 14 | 18.5 | 23 | 31.0 | 21 | 36 |
| PL1001 | 10 | 1/8" | 18 | 7.5 | 21 | 25.5 | 25.0 | 17 | 16.5 |
| PL1002 | | 1/4" | 18 | 10 | 21 | 25.5 | 27.0 | 17 | 19 |
| PL1003 | | 3/8" | 18 | 11 | 21 | 25.5 | 28.0 | 17 | 21 |
| PL1004 | 10 | 1/2" | 18 | 14 | 21 | 25.5 | 32.5 | 21 | 37 |
| PL1201 | | 1/8" | 21 | 7.5 | 23 | 28.5 | 26.5 | 17 | 19 |
| PL1202 | | 1/4" | 21 | 10 | 23 | 28.5 | 28.5 | 17 | 21.5 |
| PL1203 | 12 | 3/8" | 21 | 11 | 23 | 29.5 | 33 | 17 | 25.5 |
| PL1204 | | 1/2" | 21 | 14 | 23 | 29.5 | 34 | 21 | 37 |

PCF Series



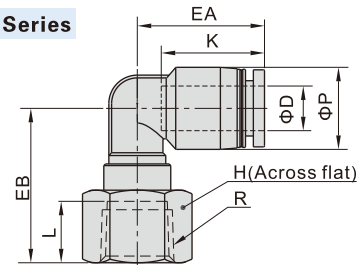
| Model\Item | ΦD | R | ΦP | L | C | K | H | Weight(g) |
|------------|----|--------|------|------|------|------|----|-----------|
| PCF4M5 | 4 | M5×0.8 | 9 | 5 | 21 | 14 | 10 | 2.7 |
| PCF401 | | 1/8" | 9.5 | 8 | 23 | 14 | 14 | 4.5 |
| PCF402 | | 1/4" | 9.5 | 11 | 26 | 14 | 17 | 6.5 |
| PCF6M5 | 6 | M5×0.8 | 12 | 5 | 21.5 | 16.5 | 12 | 3.9 |
| PCF601 | | 1/8" | 12.5 | 8 | 25.5 | 16.5 | 14 | 5.6 |
| PCF602 | | 1/4" | 12.5 | 11 | 28.5 | 16.5 | 17 | 7.5 |
| PCF603 | 6 | 3/8" | 13 | 12 | 29.5 | 16.5 | 21 | 10.7 |
| PCF604 | | 1/2" | 13 | 13.5 | 31.0 | 16.5 | 25 | 13.8 |
| PCF801 | | 1/8" | 14 | 8 | 27.5 | 18.5 | 14 | 5.8 |
| PCF802 | 8 | 1/4" | 14.5 | 11 | 30.5 | 18.5 | 17 | 8.4 |
| PCF803 | | 3/8" | 14.5 | 12 | 31.5 | 18.5 | 21 | 11.2 |
| PCF804 | | 1/2" | 14.5 | 13.5 | 33 | 18.5 | 25 | 14.4 |
| PCF1001 | 10 | 1/8" | 17 | 8 | 29 | 21 | 17 | 9.5 |
| PCF1002 | | 1/4" | 17 | 11 | 33 | 21 | 17 | 9.9 |
| PCF1003 | | 3/8" | 18 | 12 | 34 | 21 | 21 | 14 |
| PCF1004 | 10 | 1/2" | 18 | 13.5 | 35.5 | 21 | 25 | 17.1 |
| PCF1202 | | 1/4" | 21 | 11 | 33.5 | 23 | 21 | 17.5 |
| PCF1203 | | 3/8" | 21 | 12 | 35.5 | 23 | 21 | 16.6 |
| PCF1204 | 12 | 1/2" | 21 | 13.5 | 37 | 23 | 25 | 19.7 |

PMF Series



| Model\Item | ΦD | R | M | L | C | K | LA | E | GA | G | H | Weight(g) |
|------------|----|------|-------|------|------|------|------|-----|----|----|----|-----------|
| PMF401 | 4 | 1/8" | M12X1 | 8 | 25 | 14 | 12 | 4 | 4 | 14 | 14 | 6.4 |
| PMF402 | | 1/4" | M12X1 | 11 | 29 | 14 | 12 | 4 | 4 | 14 | 17 | 9 |
| PMF601 | 6 | 1/8" | M14X1 | 8 | 25.5 | 16.5 | 12.5 | 5 | 4 | 17 | 17 | 9.1 |
| PMF602 | | 1/4" | M14X1 | 11 | 30.5 | 16.5 | 12.5 | 5 | 4 | 17 | 17 | 10.9 |
| PMF603 | | 3/8" | M14X1 | 12 | 31.5 | 16.5 | 12.5 | 5 | 4 | 17 | 21 | 13.2 |
| PMF801 | 8 | 1/8" | M16X1 | 8 | 27.5 | 18.5 | 13.5 | 5.5 | 4 | 19 | 19 | 12.8 |
| PMF802 | | 1/4" | M16X1 | 11 | 32 | 18.5 | 13.5 | 5.5 | 4 | 19 | 19 | 15.7 |
| PMF803 | | 3/8" | M16X1 | 12 | 33 | 18.5 | 13.5 | 5.5 | 4 | 19 | 21 | 15 |
| PMF804 | | 1/2" | M16X1 | 13.5 | 34.5 | 18.5 | 13.5 | 5.5 | 4 | 19 | 25 | 18.1 |
| PMF1001 | 10 | 1/8" | M20X1 | 8 | 30 | 21 | 14.5 | 7.5 | 5 | 24 | 22 | 19.6 |
| PMF1002 | | 1/4" | M20X1 | 11 | 35 | 21 | 14.5 | 7.5 | 5 | 24 | 22 | 22.8 |
| PMF1003 | | 3/8" | M20X1 | 12 | 36 | 21 | 14.5 | 7.5 | 5 | 24 | 22 | 21.1 |
| PMF1004 | | 1/2" | M20X1 | 13.5 | 37.5 | 21 | 14.5 | 7.5 | 5 | 24 | 25 | 23.2 |
| PMF1202 | 12 | 1/4" | M22X1 | 11 | 34.5 | 23 | 15.5 | 8 | 6 | 27 | 24 | 26.2 |
| PMF1203 | | 3/8" | M22X1 | 12 | 37.5 | 23 | 15.5 | 8 | 6 | 27 | 24 | 27 |
| PMF1204 | | 1/2" | M22X1 | 13.5 | 39 | 23 | 15.5 | 8 | 6 | 27 | 25 | 26.2 |

PLF Series

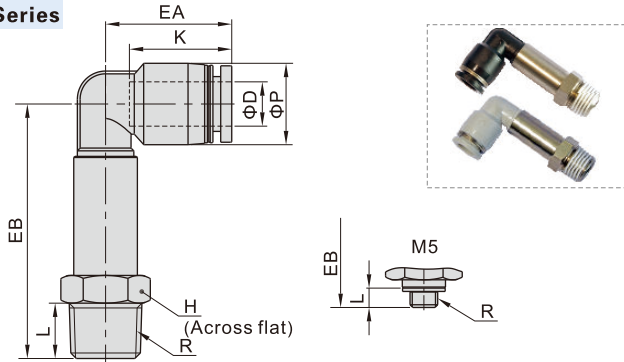


| Model\Item | ΦD | R | ΦP | L | K | EA | EB | H | Weight(g) |
|------------|----|--------|------|------|------|------|------|----|-----------|
| PLF4M5 | 4 | M5×0.8 | 9 | 5 | 14 | 17 | 16 | 10 | 2.9 |
| PLF401 | | 1/8" | 9 | 8 | 14 | 17 | 21 | 14 | 4.6 |
| PLF402 | | 1/4" | 9 | 11 | 14 | 17 | 24 | 17 | 6.8 |
| PLF6M5 | 6 | M5×0.8 | 12.5 | 5 | 17 | 20 | 18.5 | 10 | 7 |
| PLF601 | | 1/8" | 12.5 | 8 | 17 | 20 | 23 | 14 | 5.8 |
| PLF602 | | 1/4" | 12.5 | 11 | 17 | 20 | 26 | 17 | 8 |
| PLF603 | 6 | 3/8" | 12.5 | 12 | 17 | 20 | 27 | 21 | 10.7 |
| PLF801 | | 1/8" | 15 | 8 | 18.5 | 23 | 20 | 14 | 6.6 |
| PLF802 | | 1/4" | 15 | 11 | 18.5 | 23 | 27.5 | 17 | 9.2 |
| PLF803 | 8 | 3/8" | 15 | 12 | 18.5 | 23 | 28.5 | 21 | 11.9 |
| PLF804 | | 1/2" | 15 | 13.5 | 18.5 | 23 | 30 | 25 | 15.2 |
| PLF1001 | | 1/8" | 18 | 8 | 21 | 25.5 | 24 | 17 | 11.3 |
| PLF1002 | 10 | 1/4" | 18 | 11 | 21 | 25.5 | 26.5 | 17 | 11.2 |
| PLF1003 | | 3/8" | 18 | 12 | 21 | 25.5 | 30 | 21 | 14.5 |
| PLF1004 | | 1/2" | 18 | 13.5 | 21 | 25.5 | 31.5 | 25 | 17.4 |
| PLF1202 | 12 | 1/4" | 21 | 11 | 23 | 28.5 | 28.5 | 17 | 13.7 |
| PLF1203 | | 3/8" | 21 | 12 | 23 | 29.5 | 32 | 21 | 17.4 |
| PLF1204 | | 1/2" | 21 | 13.5 | 23 | 29.5 | 33 | 25 | 20.4 |

Accessories—One-Touch Fittings

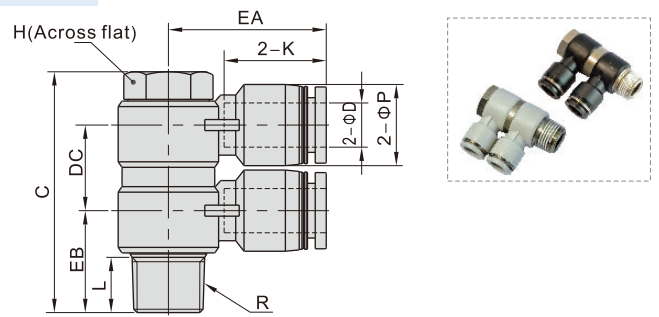
One-touch fittings—threaded type

PLL Series



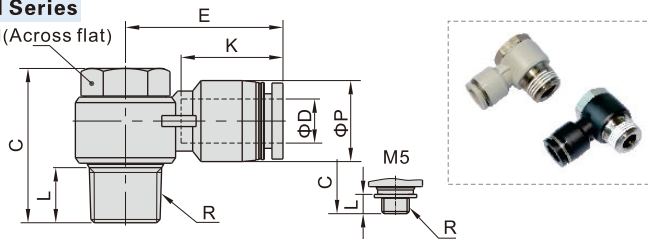
| Model/Item | ΦD | R | ΦP | L | K | EA | EB | H | Weight(g) |
|------------|----|--------|------|-----|------|------|------|----|-----------|
| PLL4M5 | | M5×0.8 | 9 | 3.5 | 14 | 17 | 32.5 | 8 | 8.9 |
| PLL401 | 4 | 1/8" | 9 | 7.5 | 14 | 17 | 35.5 | 10 | 12.3 |
| PLL402 | | 1/4" | 9 | 10 | 14 | 17 | 38.5 | 14 | 16.9 |
| PLL6M5 | | M5×0.8 | 12.5 | 3.5 | 17 | 20 | 34.5 | 8 | 9.9 |
| PLL601 | 6 | 1/8" | 12.5 | 7.5 | 17 | 20 | 37.5 | 10 | 13 |
| PLL602 | | 1/4" | 12.5 | 10 | 17 | 20 | 40.5 | 14 | 18 |
| PLL603 | | 3/8" | 12.5 | 11 | 17 | 20 | 43 | 17 | 23.4 |
| PLL801 | 8 | 1/8" | 15 | 7.5 | 18.5 | 23 | 43.5 | 12 | 16.6 |
| PLL802 | | 1/4" | 15 | 10 | 18.5 | 23 | 45.5 | 14 | 22.7 |
| PLL803 | | 3/8" | 15 | 11 | 18.5 | 23 | 48 | 17 | 27.7 |
| PLL1001 | 10 | 1/8" | 18 | 7.5 | 21 | 25.5 | 50.5 | 15 | 37.5 |
| PLL1002 | | 1/4" | 18 | 10 | 21 | 25.5 | 53.5 | 15 | 40.6 |
| PLL1003 | | 3/8" | 18 | 11 | 21 | 25.5 | 54.5 | 17 | 40.7 |
| PLL1004 | | 1/2" | 18 | 14 | 21 | 25.5 | 59 | 21 | 47.4 |
| PLL1202 | 12 | 1/4" | 21 | 10 | 23 | 28.5 | 55.5 | 15 | 43 |
| PLL1203 | | 3/8" | 21 | 11 | 23 | 29.5 | 60 | 17 | 55.4 |
| PLL1204 | | 1/2" | 21 | 14 | 23 | 29.5 | 63 | 21 | 56.7 |

PHW Series



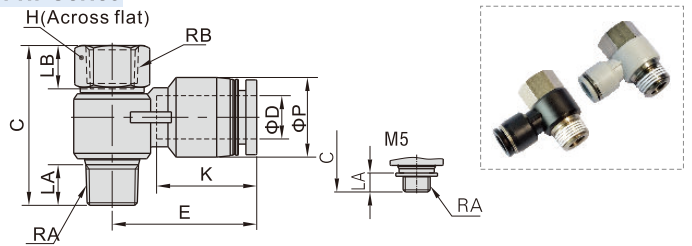
| Model/Item | ΦD | R | ΦP | L | C | K | EA | EB | DC | H | Weight(g) |
|------------|----|------|------|-----|------|------|------|------|------|----|-----------|
| PHW401 | 4 | 1/8" | 9 | 7.5 | 38 | 14 | 20.5 | 14.5 | 13 | 11 | 19 |
| PHW601 | | 1/8" | 12.5 | 7.5 | 38 | 16.5 | 23.0 | 15 | 13 | 11 | 21 |
| PHW602 | 6 | 1/4" | 12.5 | 10 | 43.5 | 16.5 | 25.0 | 17.5 | 15.5 | 14 | 40.2 |
| PHW603 | | 3/8" | 12.5 | 11 | 50 | 16.5 | 27.0 | 20 | 16.5 | 19 | 69.2 |
| PHW801 | 8 | 1/8" | 15 | 7.5 | 40.5 | 18.5 | 26.5 | 16.5 | 15.5 | 11 | 23.6 |
| PHW802 | | 1/4" | 15 | 10 | 43.5 | 18.5 | 28.5 | 18.5 | 15.5 | 14 | 40.8 |
| PHW803 | | 3/8" | 15 | 11 | 50 | 18.5 | 29.5 | 20 | 16.5 | 19 | 70.4 |
| PHW804 | | 1/2" | 15 | 14 | 61 | 18.5 | 32 | 24.5 | 22 | 24 | 134.8 |
| PHW1002 | 10 | 1/4" | 18 | 10 | 46.5 | 21 | 31 | 20 | 18.5 | 14 | 47 |
| PHW1003 | | 3/8" | 18 | 11 | 55 | 21 | 33 | 21 | 22 | 19 | 87.5 |
| PHW1004 | | 1/2" | 18 | 14 | 61 | 21 | 35.5 | 25 | 22 | 24 | 137.7 |
| PHW1203 | 12 | 3/8" | 21 | 11 | 55 | 23 | 36 | 23 | 22 | 19 | 86.4 |
| PHW1204 | | 1/2" | 21 | 14 | 61 | 23 | 38 | 26.5 | 22 | 24 | 147.5 |

PH Series



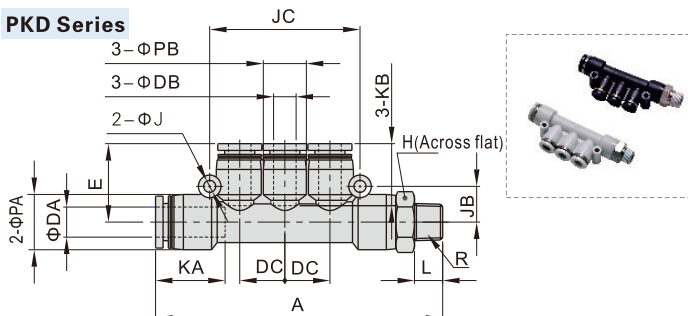
| Model/Item | ΦD | R | ΦP | L | C | K | E | H | Weight(g) |
|------------|----|--------|------|-----|----|------|------|----|-----------|
| PH4M5 | | M5×0.8 | 9 | 3.5 | 17 | 14 | 19 | 8 | 5.8 |
| PH401 | 4 | 1/8" | 9 | 7.5 | 25 | 14 | 20.5 | 11 | 12.8 |
| PH6M5 | | M5×0.8 | 12.5 | 3.5 | 17 | 16.5 | 23.5 | 8 | 6.8 |
| PH601 | 6 | 1/8" | 12.5 | 7.5 | 25 | 16.5 | 23 | 11 | 14 |
| PH602 | | 1/4" | 12.5 | 10 | 28 | 16.5 | 25 | 14 | 25.4 |
| PH603 | | 3/8" | 12.5 | 11 | 33 | 16.5 | 27 | 19 | 50.2 |
| PH801 | 8 | 1/8" | 15 | 7.5 | 25 | 18.5 | 26.5 | 11 | 14.7 |
| PH802 | | 1/4" | 15 | 10 | 28 | 18.5 | 28.5 | 14 | 26.4 |
| PH803 | | 3/8" | 15 | 11 | 33 | 18.5 | 29.5 | 19 | 49.4 |
| PH804 | | 1/2" | 15 | 14 | 39 | 18.5 | 32 | 24 | 89 |
| PH1002 | 10 | 1/4" | 18 | 10 | 28 | 21 | 31 | 14 | 27.7 |
| PH1003 | | 3/8" | 18 | 11 | 33 | 21 | 33 | 19 | 51.1 |
| PH1004 | | 1/2" | 18 | 14 | 39 | 21 | 35.5 | 24 | 88.5 |
| PH1203 | 12 | 3/8" | 21 | 11 | 33 | 23 | 36 | 19 | 53 |
| PH1204 | | 1/2" | 21 | 14 | 39 | 23 | 38 | 24 | 92.8 |

PHF Series



| Model/Item | ΦD | RA | RB | ΦP | LA | LB | C | K | E | H | Weight(g) |
|------------|----|--------|--------|------|-----|------|------|------|------|----|-----------|
| PHF4M5 | | M5×0.8 | M5×0.8 | 9 | 3.5 | 6 | 20 | 14 | 19 | 8 | 6.2 |
| PHF401 | 4 | 1/8" | 1/8" | 9 | 7.5 | 8 | 29.5 | 14 | 20.5 | 12 | 12.9 |
| PHF6M5 | | M5×0.8 | M5×0.8 | 12.5 | 3.5 | 6 | 20 | 16.5 | 23.5 | 8 | 7.1 |
| PHF601 | 6 | 1/8" | 1/8" | 12.5 | 7.5 | 8 | 29.5 | 16.5 | 23 | 12 | 13.9 |
| PHF602 | | 1/4" | 1/4" | 12.5 | 10 | 11 | 35 | 16.5 | 25 | 17 | 30.3 |
| PHF603 | | 3/8" | 3/8" | 12.5 | 11 | 12 | 40 | 16.5 | 27 | 19 | 44.2 |
| PHF801 | 8 | 1/8" | 1/8" | 15 | 7.5 | 8 | 29.5 | 18.5 | 26.5 | 12 | 15 |
| PHF802 | | 1/4" | 1/4" | 15 | 10 | 11 | 35 | 18.5 | 28.5 | 17 | 30.7 |
| PHF803 | | 3/8" | 3/8" | 15 | 11 | 12 | 40 | 18.5 | 29.5 | 19 | 44.8 |
| PHF804 | | 1/2" | 1/2" | 15 | 14 | 13.5 | 47.5 | 18.5 | 32 | 24 | 84.7 |
| PHF1002 | 10 | 1/4" | 1/4" | 18 | 10 | 11 | 35 | 21 | 31 | 17 | 32 |
| PHF1003 | | 3/8" | 3/8" | 18 | 11 | 12 | 40 | 21 | 33 | 19 | 46.2 |
| PHF1004 | | 1/2" | 1/2" | 18 | 14 | 13.5 | 47.5 | 21 | 35.5 | 24 | 86.1 |
| PHF1203 | 12 | 3/8" | 3/8" | 21 | 11 | 12 | 40 | 23 | 36 | 19 | 48.4 |
| PHF1204 | | 1/2" | 1/2" | 21 | 14 | 13.5 | 47.5 | 23 | 38 | 24 | 89.7 |

PKD Series



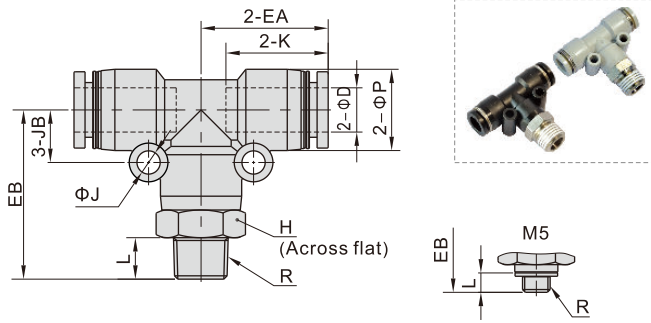
| Model/Item | ΦDA | ΦDB | R | L | A | ΦPA | ΦPB | KA |
|------------|-----|-----|------|-----|------|------|------|------|
| PKD6-401 | 6 | 4 | 1/8" | 7.5 | 66.5 | 12.5 | 9 | 16.5 |
| PKD8-602 | 8 | 6 | 1/4" | 10 | 79 | 15 | 12.5 | 18.5 |
| PKD10-803 | 10 | 8 | 3/8" | 11 | 91.5 | 18 | 15 | 21 |

| Model/Item | KB | ΦJ | JB | JC | DC | E | H | Weight(g) |
|------------|------|-----|-----|----|------|------|----|-----------|
| PKD6-401 | 14 | 3.2 | 8 | 34 | 10 | 17.5 | 12 | 15.8 |
| PKD8-602 | 16.5 | 3.2 | 9.5 | 40 | 12 | 21 | 14 | 26.5 |
| PKD10-803 | 18.5 | 4.3 | 11 | 48 | 14.5 | 24 | 17 | 38.2 |

Accessories—One-Touch Fittings

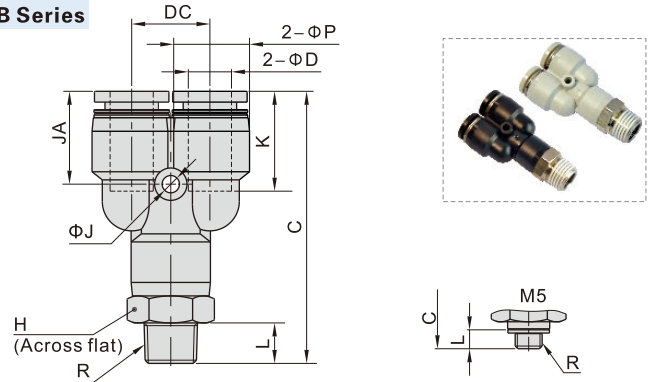
One-touch fittings—threaded type

PEB Series



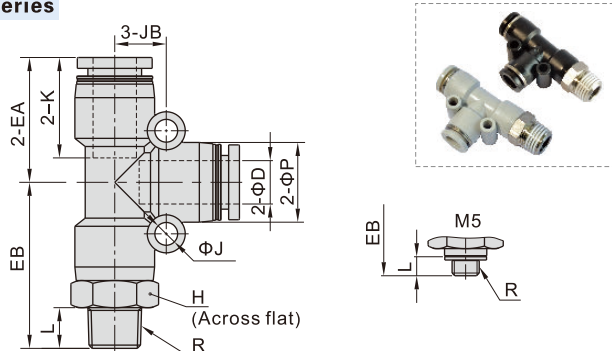
| Model/Item | ΦD | R | ΦP | L | K | EA | EB | ΦJ | JB | H | Weight(g) |
|------------|----|--------|------|-----|------|------|------|-----|-----|----|-----------|
| PEB4M5 | 4 | M5×0.8 | 9 | 3.5 | 14 | 17 | 21 | 3.2 | 6.5 | 9 | 6.8 |
| PEB401 | | 1/8" | 9 | 7.5 | 14 | 17 | 25 | 3.2 | 6.5 | 10 | 8.8 |
| PEB402 | | 1/4" | 9 | 10 | 14 | 17 | 28 | 3.2 | 6.5 | 14 | 15.5 |
| PEB6M5 | 6 | M5×0.8 | 12.5 | 3.5 | 16.5 | 20 | 23.5 | 3.2 | 8 | 12 | 11.2 |
| PEB601 | | 1/8" | 12.5 | 7.5 | 16.5 | 20 | 27.5 | 3.2 | 8 | 12 | 13.5 |
| PEB602 | | 1/4" | 12.5 | 10 | 16.5 | 20 | 30.5 | 3.2 | 8 | 14 | 18.6 |
| PEB603 | 6 | 3/8" | 12.5 | 11 | 16.5 | 20 | 32 | 3.2 | 8 | 17 | 25.3 |
| PEB801 | | 1/8" | 15 | 7.5 | 18.5 | 23 | 30.5 | 4.3 | 9.5 | 14 | 18.4 |
| PEB802 | | 1/4" | 15 | 10 | 18.5 | 23 | 33 | 4.3 | 9.5 | 14 | 21.3 |
| PEB803 | 8 | 3/8" | 15 | 11 | 18.5 | 23 | 34.5 | 4.3 | 9.5 | 17 | 28.2 |
| PEB804 | | 1/2" | 15 | 14 | 18.5 | 23 | 38.5 | 4.3 | 9.5 | 21 | 41 |
| PEB1001 | | 1/8" | 18 | 7.5 | 21 | 26.5 | 34 | 4.3 | 11 | 17 | 26.7 |
| PEB1002 | 10 | 1/4" | 18 | 10 | 21 | 26.5 | 36.5 | 4.3 | 11 | 17 | 29.2 |
| PEB1003 | | 3/8" | 18 | 11 | 21 | 26.5 | 37.5 | 4.3 | 11 | 17 | 31.9 |
| PEB1004 | | 1/2" | 18 | 14 | 21 | 26.5 | 41.5 | 4.3 | 11 | 21 | 45.4 |
| PEB1202 | 12 | 1/4" | 21 | 10 | 23 | 30 | 41 | 4.3 | 13 | 21 | 49.6 |
| PEB1203 | | 3/8" | 21 | 11 | 23 | 30 | 42 | 4.3 | 13 | 21 | 51.2 |
| PEB1204 | | 1/2" | 21 | 14 | 23 | 30 | 45 | 4.3 | 13 | 21 | 57.3 |

PYB Series



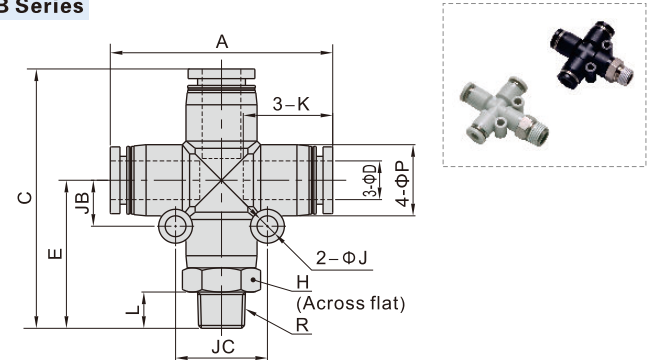
| Model/Item | ΦD | R | ΦP | L | C | K | ΦJ | JA | DC | H | Weight(g) |
|------------|----|--------|------|-----|------|------|-----|------|------|----|-----------|
| PYB4M5 | 4 | M5×0.8 | 9 | 3.5 | 35.5 | 14 | 3.2 | 13 | 10 | 9 | 6.7 |
| PYB401 | | 1/8" | 9 | 7.5 | 39.5 | 14 | 3.2 | 13 | 10 | 10 | 9 |
| PYB402 | | 1/4" | 9 | 10 | 42.5 | 14 | 3.2 | 13 | 10 | 14 | 10.8 |
| PYB6M5 | 6 | M5×0.8 | 12.5 | 3.5 | 40.5 | 16.5 | 3.2 | 15.5 | 12 | 12 | 11.1 |
| PYB601 | | 1/8" | 12.5 | 7.5 | 44.5 | 16.5 | 3.2 | 15.5 | 12 | 12 | 13.7 |
| PYB602 | | 1/4" | 12.5 | 10 | 47.5 | 16.5 | 3.2 | 15.5 | 12 | 14 | 18.2 |
| PYB603 | 6 | 3/8" | 12.5 | 11 | 49.0 | 16.5 | 3.2 | 15.5 | 12 | 17 | 25 |
| PYB801 | | 1/8" | 15 | 7.5 | 50 | 18.5 | 3.2 | 17 | 14.5 | 14 | 19.8 |
| PYB802 | | 1/4" | 15 | 10 | 52.5 | 18.5 | 3.2 | 17 | 14.5 | 14 | 22 |
| PYB803 | 8 | 3/8" | 15 | 11 | 54 | 18.5 | 3.2 | 17 | 14.5 | 17 | 27.7 |
| PYB804 | | 1/2" | 15 | 14 | 58 | 18.5 | 3.2 | 17 | 14.5 | 21 | 40.8 |
| PYB1001 | | 1/8" | 18 | 7.5 | 56.5 | 21 | 4.3 | 19.5 | 18 | 17 | 27.4 |
| PYB1002 | 10 | 1/4" | 18 | 10 | 59 | 21 | 4.3 | 19.5 | 18 | 17 | 29.5 |
| PYB1003 | | 3/8" | 18 | 11 | 60 | 21 | 4.3 | 19.5 | 18 | 17 | 32.5 |
| PYB1004 | | 1/2" | 18 | 14 | 64 | 21 | 4.3 | 19.5 | 18 | 21 | 45.4 |
| PYB1202 | 12 | 1/4" | 21 | 10 | 66 | 23 | 4.3 | 21 | 20.5 | 21 | 27.3 |
| PYB1203 | | 3/8" | 21 | 11 | 67 | 23 | 4.3 | 21 | 20.5 | 21 | 51.8 |
| PYB1204 | | 1/2" | 21 | 14 | 70 | 23 | 4.3 | 21 | 20.5 | 21 | 56.8 |

PED Series



| Model/Item | ΦD | R | ΦP | L | K | EA | EB | ΦJ | JB | H | Weight(g) |
|------------|----|--------|------|-----|------|------|------|-----|-----|----|-----------|
| PED4M5 | 4 | M5×0.8 | 9 | 3.5 | 14 | 17 | 21 | 3.2 | 6.5 | 9 | 6.8 |
| PED401 | | 1/8" | 9 | 7.5 | 14 | 17 | 25 | 3.2 | 6.5 | 10 | 8.8 |
| PED402 | | 1/4" | 9 | 10 | 14 | 17 | 28 | 3.2 | 6.5 | 14 | 15.5 |
| PED6M5 | 6 | M5×0.8 | 12.5 | 3.5 | 16.5 | 20 | 23.5 | 3.2 | 8 | 12 | 11.2 |
| PED601 | | 1/8" | 12.5 | 7.5 | 16.5 | 20 | 27.5 | 3.2 | 8 | 12 | 13.5 |
| PED602 | | 1/4" | 12.5 | 10 | 16.5 | 20 | 30.5 | 3.2 | 8 | 14 | 18.6 |
| PED603 | 6 | 3/8" | 12.5 | 11 | 16.5 | 20 | 32 | 3.2 | 8 | 17 | 25.3 |
| PED801 | | 1/8" | 15 | 7.5 | 18.5 | 23 | 30.5 | 4.3 | 9.5 | 14 | 18.4 |
| PED802 | | 1/4" | 15 | 10 | 18.5 | 23 | 33 | 4.3 | 9.5 | 14 | 21.3 |
| PED803 | 8 | 3/8" | 15 | 11 | 18.5 | 23 | 34.5 | 4.3 | 9.5 | 17 | 28.2 |
| PED804 | | 1/2" | 15 | 14 | 18.5 | 23 | 38.5 | 4.3 | 9.5 | 21 | 41 |
| PED1001 | | 1/8" | 18 | 7.5 | 21 | 26.5 | 34 | 4.3 | 11 | 17 | 26.7 |
| PED1002 | 10 | 1/4" | 18 | 10 | 21 | 26.5 | 36.5 | 4.3 | 11 | 17 | 29.2 |
| PED1003 | | 3/8" | 18 | 11 | 21 | 26.5 | 37.5 | 4.3 | 11 | 17 | 31.9 |
| PED1004 | | 1/2" | 18 | 14 | 21 | 26.5 | 41.5 | 4.3 | 11 | 21 | 45.4 |
| PED1202 | 12 | 1/4" | 21 | 10 | 23 | 30 | 41 | 4.3 | 13 | 21 | 49.6 |
| PED1203 | | 3/8" | 21 | 11 | 23 | 30 | 42 | 4.3 | 13 | 21 | 51.2 |
| PED1204 | | 1/2" | 21 | 14 | 23 | 30 | 45 | 4.3 | 13 | 21 | 57.3 |

PZB Series



| Model/Item | ΦD | R | L | A | E | C | ΦP | K | ΦJ | JB | JC | H | Weight(g) |
|------------|------|------|------|------|------|------|------|------|-----|-----|----|----|-----------|
| PZB601 | 6 | 1/8" | 7.5 | | 27.5 | 47.5 | | | | | | 12 | 15.2 |
| PZB602 | | 1/4" | 10 | 39.5 | 30.5 | 50.5 | 12.5 | 16.5 | 3.2 | 8 | 16 | 14 | 20.4 |
| PZB603 | | 3/8" | 11 | | 32 | 52 | | | | | | 17 | 27 |
| PZB801 | 8 | 1/8" | 7.5 | | 30.5 | 53.5 | | | | | | 14 | 20.9 |
| PZB802 | | 1/4" | 10 | 46 | 33 | 56 | 15 | 18.5 | 4.3 | 9.5 | 19 | 14 | 23.8 |
| PZB803 | | 3/8" | 11 | | 34.5 | 57.5 | | | | | | 17 | 29.9 |
| PZB804 | 8 | 1/2" | 14 | | 38.5 | 61.5 | | | | | | 21 | 43.5 |
| PZB1002 | | 1/4" | 10 | | 36.5 | 63 | | | | | | 17 | 33.5 |
| PZB1003 | | 10 | 3/8" | 11 | 52.5 | 37.5 | 64 | 18 | 21 | 4.3 | 11 | 22 | 17 |
| PZB1004 | 1/2" | | 14 | | 41.5 | 68 | | | | | | 21 | 49.2 |
| PZB1203 | 12 | | 3/8" | 11 | | 42 | 72 | | | | | | 21 |
| PZB1204 | | 1/2" | 14 | 59.5 | 45 | 75 | 21 | 23 | 4.3 | 13 | 26 | 21 | 65.4 |