

## PHV series



### Specification

Model	PHV6	PHV8	PHV10	PHV12
Operating pressure range	0~10kgf/cm <sup>2</sup> (0~1.0MPa)			
Negative pressure	-750mmHg(10Torr)			
Proof pressure	1.5MPa			
Ambient and fluid temperature (°C)	-20~70			
Applicable tubing	Soft nylon or polyurethane			
Color	Grey/black			

### Symbol



### Product feature

1. PHV series product doesn't contain brass, so can be used for forbidding brass condition.
2. When the three-way valve is closed, the outlet pressure is released, which facilitates in commissioning and maintenance.
3. The finger valve has excellent flow characteristic and high sensitive anti-direction characteristic.

### Ordering code

PHV 6 A □



① Fitting type	② Port size	③ Valve specification		④ Standard color
PHV: Finger valve	6: Φ6mm	A: Three-way Knob identifier "A"	B: Two-way Knob identifier "B"	Blank: Gray(Release button: Gray Body: Gray) D: Black(Release button: Black Body: Black)
	8: Φ8mm			
	10: Φ10mm			
	12: Φ12mm			

### Diagram of finger valve in the open and closed states

#### Closed state

Valve is closed, when the angle between the arrow on knob and the arrow on valve body is 90 degree

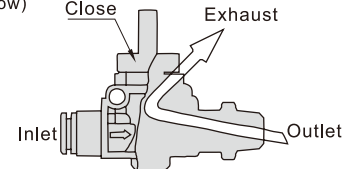


#### Opened state

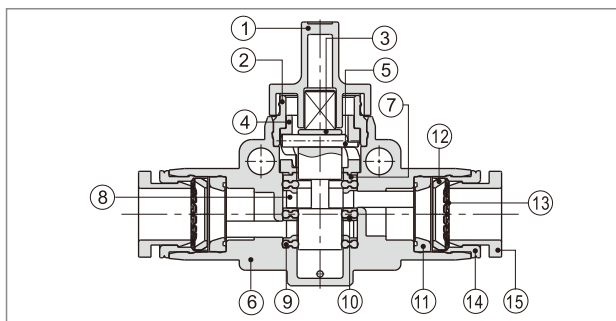
Valve is open, when the direction of the arrow on commutation knob is consistent with that on valve body.



When the three-way valve is closed, the outlet pressure is released, which facilitates in commissioning and maintenance. (as figure below)

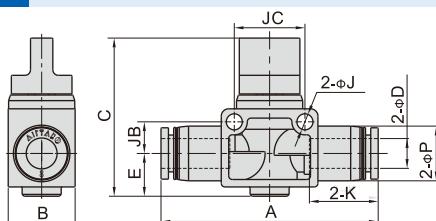


### Inner structure



NO.	Name	Material	NO.	Name	Material
1	Knob	POM	9	Special shape O-ring	NBR
2	Fixing ring	Aluminum alloy	10	Spacer ring	Aluminum alloy
3	Spool	Aluminum alloy	11	Special shape O-ring	NBR
4	Cam groove block	POM	12	Locating seat	POM
5	Pin	Stainless steel	13	Spring gasket	Stainless steel
6	Plastic body	PBT	14	Locating ring	Aluminum alloy
7	Locating block	Aluminum alloy	15	Plastic interface	POM
8	Spacer	POM			

### Dimensions



Model/Item	ΦD	A	B	C	ΦP	K	E	ΦJ	JB	JC	Weight(g)
PHV6□	6	51.5	17	40.5	12.5	16.5	10	4.3	8	18	14.3
PHV8□	8	58.5	18	42.5	15	18.5	11.5	4.3	8.5	19	17.5
PHV10□	10	66	21	42	18	21	11	4.3	11	24	25.1
PHV12□	12	71	22	46	21	23	13	4.3	11	24	31.4

Note: "□" indicates "A" or "B", "A" indicates three-way, and "B" indicates two-way.

The two kinds of valve have same dimensions.