

One-touch fittings—tube-tube type

Ordering code

Same diameter type fittings

PE 6 □

① ② ③

| ① Model | | | | ② Port size | ③ Standard color | | |
|------------------------------|-------------------|---------------|------------------------|---|------------------|--------------------------------------|-----------------|
| PM: Bulkhead union | PE: Union tee | PP: Plug | PV: Union elbow | 4: Φ4mm 6: Φ6mm 8: Φ8mm 10: Φ10mm 12: Φ12mm | Standard color: | Specification | Adaptable model |
| PLM: Bulkhead male elbow | PY: Union "Y" | PZ: Cross | PU: Straight union | | Blank: Gray | Release button: Gray Body: Gray | PM Others |
| | | | | | D: Black | Release button: Black Body: Black | PM Others |

Different diameter type fittings

PEG 6 - 4 □

① ② ③ ④

| ① Model | | | | | ② Port size I | ③ Port size II | ④ Standard color | |
|-------------------------------------|--------------------------------------|--|--|--------------------------|--|--|------------------|--------------------------------------|
| PG: Different diameter straight | PZG: Different diameter cross | PEW: Different diameter tee | PYW: Different diameter union "Y" | PGJ: Plug-in reducer | 4: Φ4mm 6: Φ6mm 8: Φ8mm 10: Φ10mm 12: Φ124mm | 4: Φ4mm 6: Φ6mm 8: Φ8mm 10: Φ10mm | Standard color: | Specification |
| PEG: Different diameter tee | PKG: Reducer triple branch union | PHK: Universal reducer triple branch union | PHD: Universal reducer four branch union | | | | Blank: Gray | Release button: Gray Body: Gray |
| | | | | | | | D: Black | Release button: Black Body: Black |

Specification

| | |
|------------------------------------|------------------------------------|
| Operating pressure range | 0~10kgf/cm ² (0~1.0MPa) |
| Negative pressure | -750mmHg(10Torr) |
| Proof pressure | 1.5MPa |
| Ambient and fluid temperature (°C) | -20~70 |
| Applicable tubing | Soft nylon or polyurethane |
| Color | Grey/black |

Product feature

1. Variable models can be widely used in every kind of pneumatic systems.
2. High circulation performance: bear the same flow with the volume of the tubing inside diameter.
3. Connect tubing easily and conveniently. The tubing connection portion is safe and durable.
4. The threaded portion is covered with sealant and the M5 thread is attached with a sealing gasket to prevent air leakage over the connection thread portion.

Inner structure

| PM Series | | No. | Item | Material |
|-----------|--|-----|----------------|-----------------|
| | | 1 | Release button | POM |
| | | 2 | Guide | Aluminum alloy |
| | | 3 | Spring gasket | Stainless steel |
| | | 4 | Chuck | POM |
| | | 5 | O-ring | NBR |
| | | 6 | Body | Aluminum alloy |
| | | 7 | Rubber washer | NBR |
| | | 8 | Nut | Aluminum alloy |

Table for interface port and tube O.D.

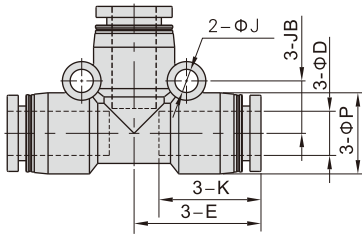
| Product series | Port size I | Port size II | | | | |
|-------------------|-----------------------------------|--------------|----|----|-----|-----|
| | | Φ4 | Φ6 | Φ8 | Φ10 | |
| PG PGJ | Φ4 | | | | | |
| | Φ6 | ● | | | | |
| | Φ8 | ● | ● | | | |
| | Φ10 | | ● | ● | | |
| | Φ12 | | | ● | ● | |
| PEG PEW PYW | Φ4 | | | | | |
| | Φ6 | ● | | | | |
| | Φ8 | | ● | | | |
| | Φ10 | | | ● | | |
| PZG | Φ4 | | | | | |
| | Φ6 | ● | | | | |
| | Φ8 | | ● | | | |
| | Φ10 | | | ● | | |
| PKG | Φ4 | | | | | |
| | Φ6 | ● | | | | |
| | Φ8 | | ● | | | |
| | Φ10 | | | ● | | |
| PHK PHD | Φ4 | | | | | |
| | Φ6 | | | | | |
| | Φ8 | | ● | | | |
| | Φ10 | | | ● | | |
| Product series | | Φ4 | Φ6 | Φ8 | Φ10 | Φ12 |
| | PE, PY, PV, PU PM, PLM, PP, PZ | ● | ● | ● | ● | ● |

Accessories—One-Touch Fittings

One-touch fittings—tube-tube type

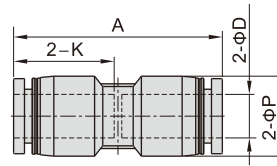
Dimensions

PE Series



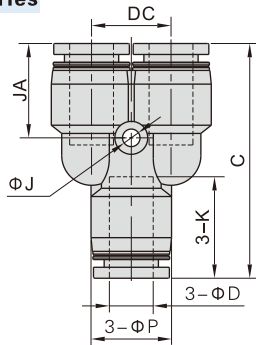
| Model\Item | ΦD | ΦP | K | E | ΦJ | JB | Weight(g) |
|------------|----|------|------|------|-----|-----|-----------|
| PE4 | 4 | 9 | 14 | 17 | 3.2 | 6.5 | 3.1 |
| PE6 | 6 | 12.5 | 16.5 | 20 | 3.2 | 8 | 6.1 |
| PE8 | 8 | 15 | 18.5 | 23 | 4.3 | 9.5 | 8.8 |
| PE10 | 10 | 18 | 21 | 26.5 | 4.3 | 11 | 13.8 |
| PE12 | 12 | 21 | 23 | 30 | 4.3 | 13 | 21 |

PU Series



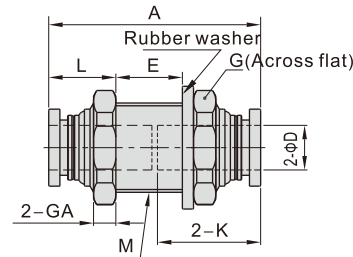
| Model\Item | ΦD | ΦP | K | A | Weight(g) |
|------------|----|------|------|------|-----------|
| PU4 | 4 | 9 | 14 | 29.5 | 1.7 |
| PU6 | 6 | 12.5 | 16.5 | 34 | 3.6 |
| PU8 | 8 | 15 | 18.5 | 38.5 | 5 |
| PU10 | 10 | 18 | 21 | 43 | 8.1 |
| PU12 | 12 | 21 | 23 | 47 | 12 |

PY Series



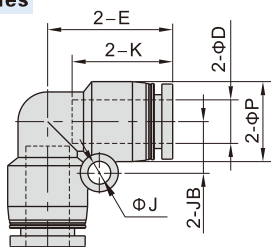
| Model\Item | ΦD | ΦP | C | K | ΦJ | JA | DC | Weight(g) |
|------------|----|------|------|------|-----|------|------|-----------|
| PY4 | 4 | 9 | 31.5 | 14 | 3.2 | 13 | 10 | 3 |
| PY6 | 6 | 12.5 | 37 | 16.5 | 3.2 | 15.5 | 12 | 6 |
| PY8 | 8 | 15 | 42.5 | 18.5 | 3.2 | 17 | 14.5 | 8.6 |
| PY10 | 10 | 18 | 48.5 | 21 | 4.3 | 19.5 | 18 | 14 |
| PY12 | 12 | 21 | 54.5 | 23 | 4.3 | 21 | 20.5 | 21.2 |

PM Series



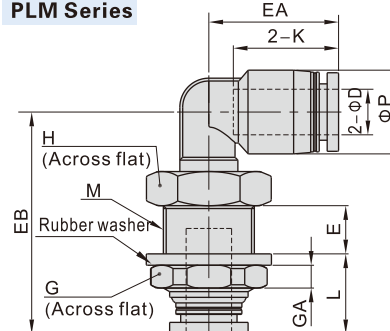
| Model\Item | ΦD | M | A | K | L | E | GA | G | Weight(g) |
|------------|----|-------|------|------|------|------|----|----|-----------|
| PM4 | 4 | M12X1 | 29 | 14 | 10 | 7 | 4 | 14 | 6.2 |
| PM6 | 6 | M14X1 | 34 | 16.5 | 10.5 | 11 | 4 | 17 | 9.5 |
| PM8 | 8 | M16X1 | 38 | 18.5 | 11.5 | 13 | 4 | 19 | 15.7 |
| PM10 | 10 | M20X1 | 43 | 21 | 12.5 | 16 | 5 | 24 | 22.5 |
| PM12 | 12 | M22X1 | 46.5 | 23 | 13.5 | 17.5 | 6 | 27 | 29.5 |

PV Series



| Model\Item | ΦD | ΦP | K | E | ΦJ | JB | Weight(g) |
|------------|----|------|------|------|-----|-----|-----------|
| PV4 | 4 | 9 | 14 | 17 | 3.2 | 6.5 | 1.9 |
| PV6 | 6 | 12.5 | 16.5 | 20 | 3.2 | 8 | 4.2 |
| PV8 | 8 | 15 | 18.5 | 23 | 4.3 | 9.5 | 6 |
| PV10 | 10 | 18 | 21 | 26.5 | 4.3 | 11 | 9.3 |
| PV12 | 12 | 21 | 23 | 30 | 4.3 | 13 | 14.6 |

PLM Series

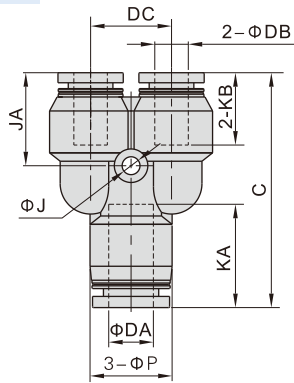


| Model\Item | ΦD | ΦP | M | L | E | K | EA | EB | GA | G | H | Weight(g) |
|------------|----|------|-------|------|-----|------|------|------|----|----|----|-----------|
| PLM4 | 4 | 9 | M12X1 | 12 | 7.5 | 14 | 17 | 31 | 4 | 14 | 14 | 7.5 |
| PLM6 | 6 | 12.5 | M14X1 | 12.5 | 8.5 | 17 | 20 | 35.5 | 4 | 17 | 17 | 12.1 |
| PLM8 | 8 | 15 | M16X1 | 13.5 | 9 | 18.5 | 23 | 39 | 4 | 19 | 19 | 16.6 |
| PLM10 | 10 | 18 | M20X1 | 14.5 | 11 | 21 | 25.5 | 44.5 | 5 | 24 | 22 | 26.2 |
| PLM12 | 12 | 21 | M22X1 | 15.5 | 11 | 23 | 29.5 | 48 | 6 | 27 | 24 | 34 |

Accessories—One-Touch Fittings

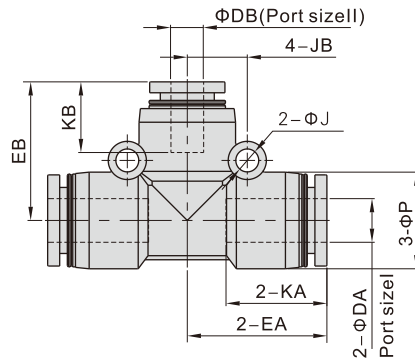
One-touch fittings—tube-tube type

PYW Series



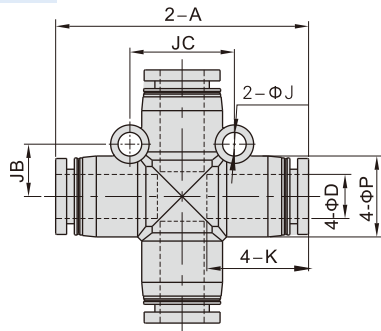
| Model\Item | ΦDA | ΦDB | C | ΦP | KA | KB | ΦJ | JA | DC | Weight(g) |
|------------|-----|-----|------|------|------|------|-----|------|------|-----------|
| PYW6-4 | 6 | 4 | 36.5 | 12.5 | 16.5 | 14 | 3.2 | 15 | 12 | 5.8 |
| PYW8-6 | 8 | 6 | 42 | 15 | 18.5 | 16.5 | 3.2 | 16.5 | 14.5 | 9.1 |
| PYW10-8 | 10 | 8 | 48.5 | 18 | 21 | 18.5 | 4.3 | 19 | 18 | 14.1 |
| PYW12-8 | 12 | 8 | 54 | 21 | 23 | 18.5 | 4.3 | 20.5 | 20.5 | 22.3 |
| PYW12-10 | 12 | 10 | 54.5 | 21 | 23 | 21 | 4.3 | 21 | 20.5 | 21.7 |

PEG Series



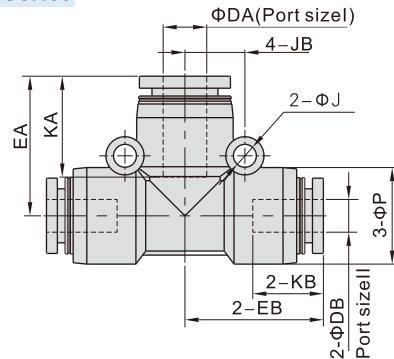
| Model\Item | ΦDA | ΦDB | ΦP | KA | KB | EA | EB | ΦJ | JB | Weight(g) |
|------------|-----|-----|------|------|------|------|------|-----|-----|-----------|
| PEG6-4 | 6 | 4 | 12.5 | 16.5 | 14 | 20.0 | 19.5 | 3.2 | 8 | 7 |
| PEG8-6 | 8 | 6 | 15 | 18.5 | 16.5 | 22.5 | 22 | 4.3 | 9.5 | 22.8 |
| PEG10-8 | 10 | 8 | 18 | 21 | 18.5 | 25.5 | 25.5 | 4.3 | 11 | 15.1 |
| PEG12-8 | 12 | 8 | 21 | 23 | 18.5 | 29 | 28.5 | 4.3 | 13 | 2.2 |
| PEG12-10 | 12 | 10 | 21 | 23 | 21 | 29 | 29 | 4.3 | 13 | 21.5 |

PZ Series



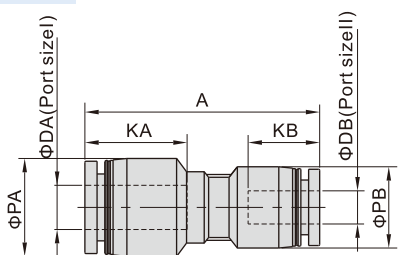
| Model\Item | ΦD | A | ΦP | K | ΦJ | JB | JC | Weight(g) |
|------------|----|------|------|------|-----|-----|----|-----------|
| PZ4 | 4 | 34 | 9 | 14 | 3.2 | 6.5 | 13 | 3.9 |
| PZ6 | 6 | 39.5 | 12.5 | 16.5 | 3.2 | 8 | 16 | 7.9 |
| PZ8 | 8 | 46 | 15 | 18.5 | 4.3 | 9.5 | 19 | 11.1 |
| PZ10 | 10 | 52.5 | 18 | 21 | 4.3 | 11 | 22 | 17.5 |
| PZ12 | 12 | 59.5 | 21 | 23 | 4.3 | 13 | 26 | 26.6 |

PEW Series



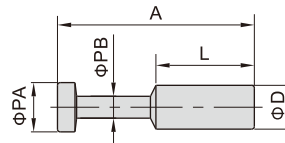
| Model\Item | ΦDA | ΦDB | ΦP | KA | KB | EA | EB | ΦJ | JB | Weight(g) |
|------------|-----|-----|------|------|------|------|------|-----|-----|-----------|
| PEW6-4 | 6 | 4 | 12.5 | 16.5 | 14 | 20 | 19.5 | 3.2 | 8 | 7 |
| PEW8-6 | 8 | 6 | 15 | 18.5 | 16.5 | 22.5 | 22 | 4.3 | 9.5 | 22.8 |
| PEW10-8 | 10 | 8 | 18 | 21 | 18.5 | 25.5 | 25.5 | 4.3 | 11 | 15.1 |
| PEW12-8 | 12 | 8 | 21 | 23 | 18.5 | 29 | 28.5 | 4.3 | 13 | 2.2 |
| PEW12-10 | 12 | 10 | 21 | 23 | 21 | 29 | 29 | 4.3 | 13 | 21.5 |

PG Series



| Model\Item | ΦDA | ΦDB | ΦPA | ΦPB | KA | KB | A | Weight(g) |
|------------|-----|-----|------|------|------|------|------|-----------|
| PG6-4 | 6 | 4 | 12.5 | 9 | 16.5 | 14 | 33.5 | 2.7 |
| PG8-4 | 8 | 4 | 15 | 12.5 | 18.5 | 14 | 37.5 | 4.5 |
| PG8-6 | 8 | 6 | 15 | 12.5 | 18.5 | 16.5 | 38 | 4.5 |
| PG10-6 | 10 | 6 | 18 | 15 | 21 | 16.5 | 42 | 6.9 |
| PG10-8 | 10 | 8 | 18 | 15 | 21 | 18.5 | 42.5 | 6.7 |
| PG12-8 | 12 | 8 | 21 | 18 | 23 | 18.5 | 46.5 | 10.3 |
| PG12-10 | 12 | 10 | 21 | 18 | 23 | 21 | 47 | 10.2 |

PP Series

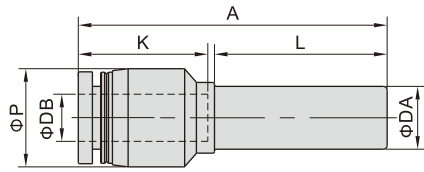


| Model\Item | ΦD | ΦPA | ΦPB | L | A | Weight(g) |
|------------|----|-----|-----|----|------|-----------|
| PP4 | 4 | 5 | 3 | 15 | 27.5 | 0.7 |
| PP6 | 6 | 7 | 3 | 17 | 32 | 0.9 |
| PP8 | 8 | 9 | 4 | 18 | 36 | 1.6 |
| PP10 | 10 | 11 | 5 | 20 | 42 | 2.5 |
| PP12 | 12 | 13 | 6 | 23 | 44 | 4.3 |

Accessories—One-Touch Fittings

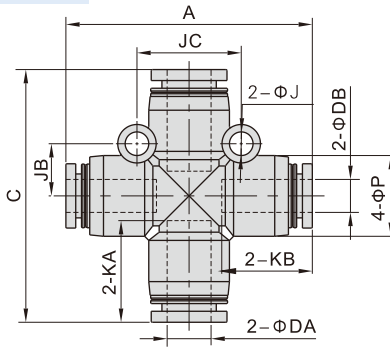
One-touch fittings—tube-tube type

PGJ Series



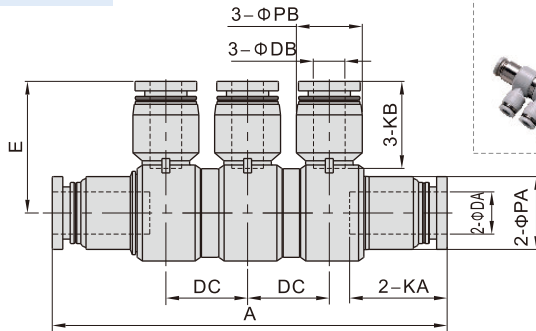
| Model\Item | ΦDA | ΦDB | ΦP | K | L | A | Weight(g) |
|------------|-----|-----|------|------|----|------|-----------|
| PGJ6-4 | 6 | 4 | 9 | 14 | 21 | 35 | 1.5 |
| PGJ8-4 | 8 | 4 | 12.5 | 14 | 22 | 39 | 2.6 |
| PGJ8-6 | 8 | 6 | 12.5 | 16.5 | 22 | 39.5 | 3.2 |
| PGJ10-6 | 10 | 6 | 15 | 16.5 | 25 | 44 | 4.1 |
| PGJ10-8 | 10 | 8 | 15 | 18.5 | 25 | 44.5 | 3.9 |
| PGJ12-8 | 12 | 8 | 18 | 18.5 | 26 | 48.5 | 6.2 |
| PGJ12-10 | 12 | 10 | 18 | 21 | 26 | 49 | 6 |

PZG Series



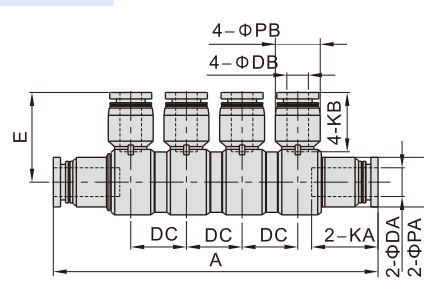
| Model\Item | ΦDA | ΦDB | A | C | ΦP | KA | KB | ΦJ | JB | JC | Weight(g) |
|------------|-----|-----|----|------|------|------|------|-----|-----|----|-----------|
| PZG6-4 | 6 | 4 | 39 | 39.5 | 12.5 | 16.5 | 14 | 3.2 | 8 | 16 | 8.2 |
| PZG8-6 | 8 | 6 | 45 | 46 | 15 | 18.5 | 16.5 | 4.3 | 9.5 | 19 | 12 |
| PZG10-8 | 10 | 8 | 52 | 52.5 | 18 | 21 | 18.5 | 4.3 | 11 | 22 | 18.1 |
| PZG12-10 | 12 | 10 | 59 | 59.5 | 21 | 23 | 21 | 4.3 | 13 | 26 | 29 |

PHK Series



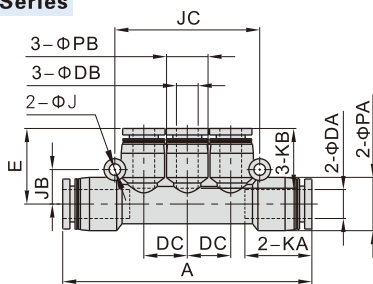
| Model\Item | ΦDA | ΦDB | A | ΦPA | ΦPB | KA | KB | DC | E | Weight(g) |
|------------|-----|-----|------|-----|------|------|------|------|------|-----------|
| PHK8-6 | 8 | 6 | 75 | 14 | 12.5 | 18.5 | 16.5 | 15.5 | 25 | 28.4 |
| PHK10-8 | 10 | 8 | 85.5 | 17 | 15 | 21 | 18.5 | 16.5 | 29.5 | 45 |

PHD Series



| Model\Item | ΦDA | ΦDB | A | ΦPA | ΦPB | KA | KB | DC | E | Weight(g) |
|------------|-----|-----|-------|-----|------|------|------|------|------|-----------|
| PHD8-6 | 8 | 6 | 90.5 | 14 | 12.5 | 18.5 | 16.5 | 15.5 | 25 | 18.7 |
| PHD10-8 | 10 | 8 | 102.5 | 17 | 15 | 21 | 18.5 | 16.5 | 29.5 | 52.7 |

PKG Series



| Model\Item | ΦDA | ΦDB | A | ΦPA | ΦPB | KA | KB | ΦJ | JB | JC | DC | E | Weight(g) |
|------------|-----|-----|----|------|------|------|------|-----|-----|----|------|------|-----------|
| PKG6-4 | 6 | 4 | 58 | 12.5 | 9 | 16.5 | 14 | 3.2 | 8 | 34 | 10 | 17.5 | 8.6 |
| PKG8-6 | 8 | 6 | 69 | 15 | 12.5 | 18.5 | 16.5 | 3.2 | 9.5 | 40 | 12 | 21 | 13.5 |
| PKG10-8 | 10 | 8 | 80 | 18 | 15 | 21 | 18.5 | 4.3 | 11 | 48 | 14.5 | 24 | 20.7 |