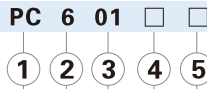


PC, POC series

Ordering code



① Model	② Port size	③ Thread connection		④ Standard color		⑤ Thread type
PC: Male connector 	4: Φ 4mm 6: Φ 6mm 8: Φ 8mm 10: Φ 10mm 12: Φ 124mm	Thread connection	Adaptable port size	Standard color	Specification	Blank: PT
POC: Male connector 		M5: M5X0.8	Φ 4, Φ 6	Blank: Gray	Release button: Gray	
		01: 1/8" 02: 1/4" 03: 3/8" 04: 1/2"	Φ 4, Φ 6 Φ 8, Φ 10 Φ 12	D: Black	Release button: Black	

Specification

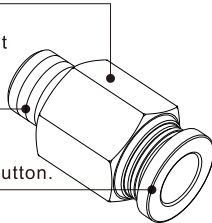
Operating pressure range	0~10kgf/cm ² (0~1.0MPa)
Negative pressure	-750mmHg(10Torr)
Proof pressure	1.5MPa
Ambient and fluid temperature (°C)	-20~70
Applicable tubing	Soft nylon or polyurethane
Color	Grey/black

Table for interface port and tube O.D.

Product series	Thread type	Port size				
		Φ 4	Φ 6	Φ 8	Φ 10	Φ 12
PC	M5	●	●			
	1/8"	●	●	●	●	●
	1/4"	●	●	●	●	●
	3/8"		●	●	●	●
	1/2"		●	●	●	●
POC	M5	●	●			
	1/8"	●	●	●	●	
	1/4"	●	●	●	●	●
	3/8"		●	●	●	●
	1/2"		●	●	●	●

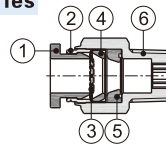
Product feature

- The compact appearance space saving.
- The threaded portion is covered with sealant and the M5 thread is attached with a sealing gasket to prevent air leakage over the connection thread portion.
- Grey and black are optional for the release button.



Inner structure

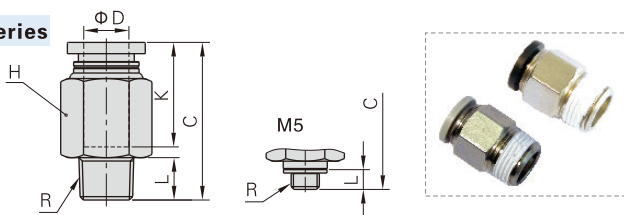
PC Series



No.	Item	Material
1	Release button	POM
2	Guide	Aluminum alloy
3	Spring gasket	Stainless steel
4	Chuck	POM
5	O-ring	NBR
6	Body	Brass

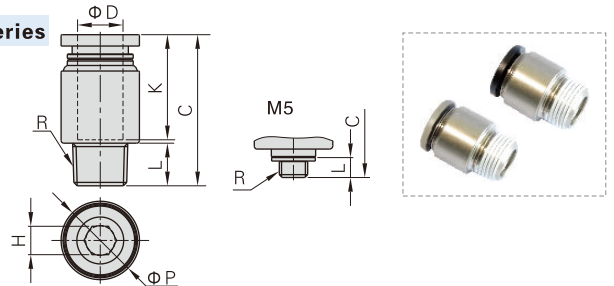
Dimensions

PC Series



Model/Item	Φ D	R	L	C	K	H(Across flat)	Weight(g)
PC4M5	4	M5×0.8	3.5	19.5	14	9	6.5
PC401		1/8"	7.5	19.5	14	10	7
PC402		1/4"	10	19.5	14	14	13.5
PC6M5	6	M5×0.8	3.5	22.5	16.5	12	8.5
PC601		1/8"	7.5	22.0	18.5	12	7.5
PC602		1/4"	10	24.5	18.5	14	15.5
PC603	3/8"	11	22.5	18.5	17	24	
PC604	1/2"	14	26.0	18.5	21	46	
PC801	8	1/8"	7.5	28	18.5	14	13.5
PC802		1/4"	10	27	18.5	14	13
PC803		3/8"	11	23.5	18.5	17	21
PC804	1/2"	14	27	18.5	21	43.5	
PC1001	10	1/8"	7.5	30	21	17	20.5
PC1002		1/4"	10	32.5	21	17	24
PC1003		3/8"	11	28	21	17	20.5
PC1004	1/2"	14	26.5	21	21	36	
PC1201	12	1/8"	7.5	32.5	23	21	38.5
PC1202		1/4"	10	35	23	21	40.5
PC1203		3/8"	11	30.5	23	21	28.5
PC1204		1/2"	14	32.5	23	21	41.5

POC Series



Model/Item	Φ D	R	Φ P	L	C	K	H(Across flat)	Weight(g)
POC4M5	4	M5×0.8	9	3.5	18.5	14	2.5	3.6
POC401		1/8"	10	7.5	18	14	3	5.5
POC402		1/4"	14	10	19.5	14	3	12.6
POC6M5	6	M5×0.8	12	3.5	21.5	16.5	2	5.9
POC601		1/8"	12	7.5	22.0	18.5	4	6.3
POC602		1/4"	14	10	22.0	18.5	4	11.8
POC801	8	1/8"	14	7.5	26.5	18	5	9.9
POC802		1/4"	14	10	25	18	6	10.1
POC803		3/8"	17	11	23.5	18	6	19.3
POC1001	10	1/8"	17	7.5	30	21	5	16.5
POC1002		1/4"	17	10	29	21	6	15.4
POC1003		3/8"	17	11	28	21	8	18.7
POC1004	1/2"	21	14	26.5	21	8	35.3	
POC1202	12	1/4"	21	10	34.5	23	6	32.3
POC1203		3/8"	21	11	30	23	8	25.1
POC1204		1/2"	21	14	32	23	8	37.5

Ordering code

PC 6 01 □ □ - M

① ② ③ ④ ⑤ ⑥

① Model	② Port size	③ Thread connection		④ Standard color		⑤ Thread type	⑥ Style type
PC: Male connector 	3.2: $\Phi 3.2\text{mm}$ 4: $\Phi 4\text{mm}$ 6: $\Phi 6\text{mm}$	Thread connection	Adaptable port size	Standard color	Specification	Blank: PT	M: Mini type
PL: Male elbow 		M3: M3X0.5	$\Phi 3.2, \Phi 4$	Blank: Gray	Release button: Gray		
		M5: M5X0.8	$\Phi 3.2, \Phi 4, \Phi 6$	D: Black	Release button: Black		
	01: 1/8"	$\Phi 4, \Phi 6$					

Specification

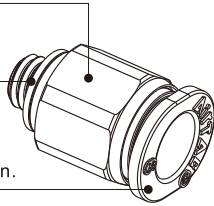
Operating pressure range	0~10kgf/cm²(0~1.0MPa)
Negative pressure	-750mmHg(10Torr)
Proof pressure	1.5MPa
Ambient and fluid temperature (°C)	-20~70
Applicable tubing	Soft nylon or polyurethane
Color	Grey/black

Table for interface port and tube O.D.

Product series	Thread type	Port size		
		$\Phi 3.2$	$\Phi 4$	$\Phi 6$
PC/PL	M3	●	●	
	M5	●	●	●
	1/8"		●	●

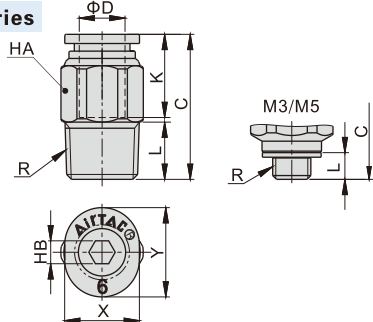
Product feature

- The compact appearance space saving.
- The threaded portion is covered with sealant and the M3/M5 thread is attached with a sealing gasket to prevent air leakage over the connection thread portion.
- Grey and black are optional for the release button.



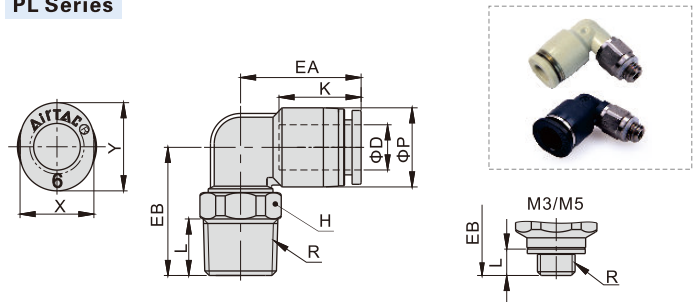
Dimensions

PC Series



Model\Item	ΦD	R	L	C	K	X	Y	HA	HB	Weight(g)
PC3.2M3-M	3.2	M3×0.5	3	16	11.5	6.8	8.7	7	1.5	1.7
PC3.2M5-M		M5×0.8	3.5	16	11.5	6.8	8.7	7	2	2.0
PC4M3-M	4	M3×0.5	3	17.5	12.5	7.8	9.5	8	1.5	2.4
PC4M5-M		M5×0.8	3.5	17	12.5	7.8	9.5	8	2	2.7
PC401-M		1/8"	7.5	17.5	13.5	7.8	9.5	10	3	5.5
PC6M5-M	6	M5×0.8	3.5	18.5	13.5	9.8	11.7	10	2	3.6
PC601-M		1/8"	7.5	19.0	15.5	9.8	11.7	10	4	6.0

PL Series



Model\Item	ΦD	R	ΦP	L	K	EA	EB	H	X	Y	Weight(g)
PL3.2M3-M	3.2	M3×0.5	7.5	3	12	14.5	14	7	6.8	8.7	2.4
PL3.2M5-M		M5×0.8		3.5	12		14.5	7	6.8	8.7	2.7
PL4M3-M	4	M3×0.5		3	12.5		14	7	7.8	9.5	3.0
PL4M5-M		M5×0.8	8.5	3.5	12.5	15	14.5	7	7.8	9.5	3.3
PL401-M		1/8"		7.5	12.5		16	10	7.8	9.5	6.2
PL6M5-M	6	M5×0.8	10.5	3.5	13.5	16.0	15.5	7	9.8	11.7	4.0
PL601-M		1/8"		7.5	13.5		16.5	10	9.8	11.7	6.8

One-touch fittings—threaded type

Ordering code

Same diameter type fittings

PL 6 01 □ □

① ② ③ ④ ⑤

① Model	② Port size	③ Thread connection	④ Standard color		⑤ Thread type
PHW: Double universal male elbow 	PL: Male elbow 	Thread connection	Standard color	Specification	Adaptable model
PHF: Universal female elbow 	PLL: Extended male elbow 	M5: M5X0.8	Blank: Gray	Release button: Gray	PCF PMF
PEB: Male branch tee 	PLF: Female elbow 	4: Φ4mm 6: Φ6mm 8: Φ8mm 10: Φ10mm 12: Φ12mm	D: Black	Body: Gray	Others
PED: Male run tee 	PCF: Female connector 			Release button: Black	PCF PMF
PYB: Branch "Y" 	PMF: Bulkhead connector 	01: 1/8" 02: 1/4" 03: 3/8" 04: 1/2"	Φ4, Φ6 Φ8, Φ10 Φ12	Release button: Black	Others
PZB: Threaded cross 	PH: Universal male elbow 			Body: Black	

Different diameter type fittings

PKD 6 - 4 01 □ □

① ② ③ ④ ⑤ ⑥

① Model	② Port size	③ Port size	④ Thread connection	⑤ Standard color	⑥ Thread type	
PKD: Male reducer triple branch 	6: Φ6mm 8: Φ8mm 10: Φ10mm	4: Φ4mm 6: Φ6mm 8: Φ8mm	01: 1/8" 02: 1/4" 03: 3/8"	Standard color: Blank: Gray D: Black	Specification: Release button: Gray/Body: Gray Release button: Black/Body: Black	Blank: PT

Specification

Operating pressure range	0~10kgf/cm ² (0~1.0MPa)
Negative pressure	-750mmHg(10Torr)
Proof pressure	1.5MPa
Ambient and fluid temperature (°C)	-20~70
Applicable tubing	Soft nylon or polyurethane
Color	Grey/black

Product feature

1. Variable models can be widely used in every kind of pneumatic systems.
2. High circulation performance: bear the same flow with the volume of the tubing inside diameter.
3. Connect tubing easily and conveniently. The tubing connection portion is safe and durable.
4. The threaded portion is covered with sealant and the M5 thread is attached with a sealing gasket to prevent air leakage over the connection thread portion.
5. The nickel plated body is anti-corrosion and anti-pollution, which allows a broader application.

Inner structure

No.	Item	Material
1	Release button	POM
2	Guide	Aluminum alloy
3	Spring gasket	Stainless steel
4	Chuck	POM
5	O-ring	NBR
6	Body	PBT
7	O-ring	NBR
8	Stud	Brass

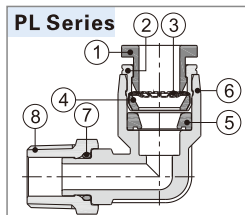


Table for interface port and tube O.D.

Product series	Thread type	Port size				
		Φ4	Φ6	Φ8	Φ10	Φ12
PL	M5	●	●			
	1/8"	●	●	●	●	●
	1/4"	●	●	●	●	●
	3/8"		●	●	●	●
PLL	M5	●	●			
	1/8"	●	●	●	●	●
	1/4"	●	●	●	●	●
	3/8"		●	●	●	●
PEB PED PYB	M5	●	●			
	1/8"	●	●	●	●	●
	1/4"	●	●	●	●	●
	3/8"		●	●	●	●
PH PHF	M5	●	●			
	1/8"	●	●	●		
	1/4"		●	●	●	
	3/8"		●	●	●	●
PHW	1/8"	●	●	●		
	1/4"		●	●	●	
	3/8"		●	●	●	●
	1/2"			●	●	●
PZB	1/8"		●	●		
	1/4"		●	●	●	
	3/8"		●	●	●	●

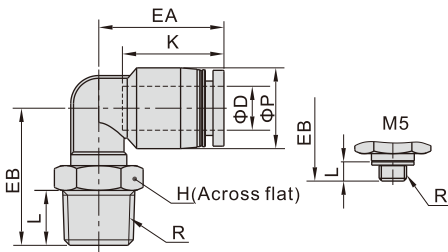
Product series	Thread type	Port size				
		Φ4	Φ6	Φ8	Φ10	Φ12
PLF	M5	●	●			
	1/8"	●	●	●	●	
	1/4"	●	●	●	●	●
	3/8"		●	●	●	●
PCF	M5	●	●			
	1/8"	●	●	●	●	
	1/4"	●	●	●	●	●
	3/8"		●	●	●	●
PMF	M5	●	●			
	1/8"	●	●	●	●	
	1/4"	●	●	●	●	●
	3/8"		●	●	●	●

Product series	Thread type	Port size		
		Φ6-Φ4	Φ8-Φ6	Φ10-Φ8
PKD	1/8"	●		
	1/4"		●	
	3/8"			●

One-touch fittings—threaded type

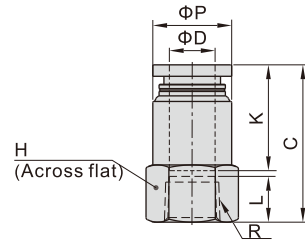
Dimensions

PL Series



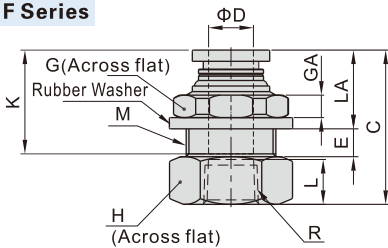
Model\Item	ØD	R	ØP	L	K	EA	EB	H	Weight(g)
PL4M5	4	M5×0.8	9	3.5	14	17	15	8	3
PL401		1/8"	9	7.5	14	17	18.5	10	4.5
PL402		1/4"	9	10	14	17	22.0	14	12
PL6M5	6	M5×0.8	12.5	3.5	17	20	17.0	8	4.5
PL601		1/8"	12.5	7.5	17	20	20.5	10	6
PL602		1/4"	12.5	10	17	20	24.0	14	13.5
PL603	6	3/8"	12.5	11	17	20	25.5	17	20.5
PL604		1/2"	12.5	14	17	20	30.0	21	36
PL801	8	1/8"	15	7.5	18.5	23	20.5	10	7.5
PL802		1/4"	15	10	18.5	23	25.0	14	13
PL803		3/8"	15	11	18.5	23	26.5	17	21
PL804		1/2"	15	14	18.5	23	31.0	21	36
PL1001	10	1/8"	18	7.5	21	25.5	25.0	17	16.5
PL1002		1/4"	18	10	21	25.5	27.0	17	19
PL1003		3/8"	18	11	21	25.5	28.0	17	21
PL1004	10	1/2"	18	14	21	25.5	32.5	21	37
PL1201	12	1/8"	21	7.5	23	28.5	26.5	17	19
PL1202		1/4"	21	10	23	28.5	28.5	17	21.5
PL1203		3/8"	21	11	23	29.5	33	17	25.5
PL1204		1/2"	21	14	23	29.5	34	21	37

PCF Series



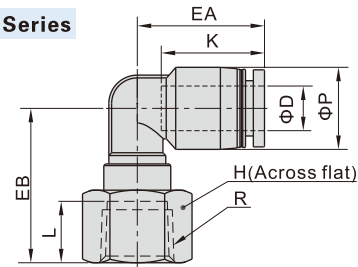
Model\Item	ØD	R	ØP	L	C	K	H	Weight(g)
PCF4M5	4	M5×0.8	9	5	21	14	10	2.7
PCF401		1/8"	9.5	8	23	14	14	4.5
PCF402		1/4"	9.5	11	26	14	17	6.5
PCF6M5	6	M5×0.8	12	5	21.5	16.5	12	3.9
PCF601		1/8"	12.5	8	25.5	16.5	14	5.6
PCF602		1/4"	12.5	11	28.5	16.5	17	7.5
PCF603	6	3/8"	13	12	29.5	16.5	21	10.7
PCF604		1/2"	13	13.5	31.0	16.5	25	13.8
PCF801	8	1/8"	14	8	27.5	18.5	14	5.8
PCF802		1/4"	14.5	11	30.5	18.5	17	8.4
PCF803		3/8"	14.5	12	31.5	18.5	21	11.2
PCF804		1/2"	14.5	13.5	33	18.5	25	14.4
PCF1001	10	1/8"	17	8	29	21	17	9.5
PCF1002		1/4"	17	11	33	21	17	9.9
PCF1003		3/8"	18	12	34	21	21	14
PCF1004	10	1/2"	18	13.5	35.5	21	25	17.1
PCF1202	12	1/4"	21	11	33.5	23	21	17.5
PCF1203		3/8"	21	12	35.5	23	21	16.6
PCF1204		1/2"	21	13.5	37	23	25	19.7

PMF Series



Model\Item	ØD	R	M	L	C	K	LA	E	GA	G	H	Weight(g)
PMF401	4	1/8"	M12X1	8	25	14	12	4	4	14	14	6.4
PMF402		1/4"	M12X1	11	29	14	12	4	4	14	17	9
PMF601	6	1/8"	M14X1	8	25.5	16.5	12.5	5	4	17	17	9.1
PMF602		1/4"	M14X1	11	30.5	16.5	12.5	5	4	17	17	10.9
PMF603		3/8"	M14X1	12	31.5	16.5	12.5	5	4	17	21	13.2
PMF801	8	1/8"	M16X1	8	27.5	18.5	13.5	5.5	4	19	19	12.8
PMF802		1/4"	M16X1	11	32	18.5	13.5	5.5	4	19	19	15.7
PMF803		3/8"	M16X1	12	33	18.5	13.5	5.5	4	19	21	15
PMF804		1/2"	M16X1	13.5	34.5	18.5	13.5	5.5	4	19	25	18.1
PMF1001	10	1/8"	M20X1	8	30	21	14.5	7.5	5	24	22	19.6
PMF1002		1/4"	M20X1	11	35	21	14.5	7.5	5	24	22	22.8
PMF1003		3/8"	M20X1	12	36	21	14.5	7.5	5	24	22	21.1
PMF1004		1/2"	M20X1	13.5	37.5	21	14.5	7.5	5	24	25	23.2
PMF1202	12	1/4"	M22X1	11	34.5	23	15.5	8	6	27	24	26.2
PMF1203		3/8"	M22X1	12	37.5	23	15.5	8	6	27	24	27
PMF1204		1/2"	M22X1	13.5	39	23	15.5	8	6	27	25	26.2

PLF Series

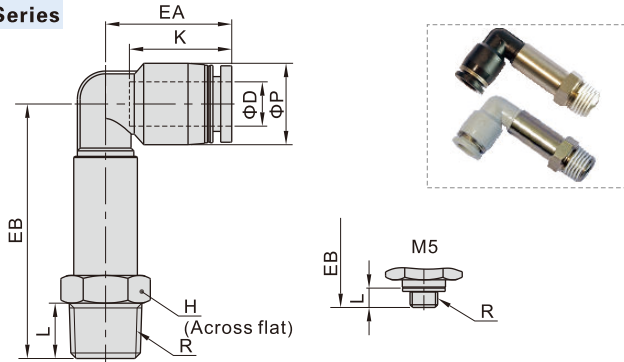


Model\Item	ØD	R	ØP	L	K	EA	EB	H	Weight(g)
PLF4M5	4	M5×0.8	9	5	14	17	16	10	2.9
PLF401		1/8"	9	8	14	17	21	14	4.6
PLF402		1/4"	9	11	14	17	24	17	6.8
PLF6M5	6	M5×0.8	12.5	5	17	20	18.5	10	7
PLF601		1/8"	12.5	8	17	20	23	14	5.8
PLF602		1/4"	12.5	11	17	20	26	17	8
PLF603	6	3/8"	12.5	12	17	20	27	21	10.7
PLF801		1/8"	15	8	18.5	23	20	14	6.6
PLF802	8	1/4"	15	11	18.5	23	27.5	17	9.2
PLF803		3/8"	15	12	18.5	23	28.5	21	11.9
PLF804		1/2"	15	13.5	18.5	23	30	25	15.2
PLF1001		1/8"	18	8	21	25.5	24	17	11.3
PLF1002	10	1/4"	18	11	21	25.5	26.5	17	11.2
PLF1003		3/8"	18	12	21	25.5	30	21	14.5
PLF1004		1/2"	18	13.5	21	25.5	31.5	25	17.4
PLF1202	12	1/4"	21	11	23	28.5	28.5	17	13.7
PLF1203		3/8"	21	12	23	29.5	32	21	17.4
PLF1204		1/2"	21	13.5	23	29.5	33	25	20.4

Accessories—One-Touch Fittings

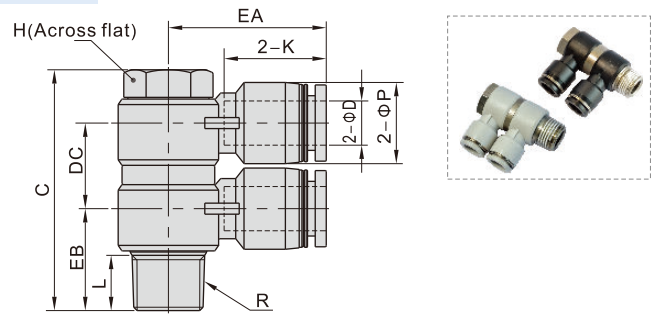
One-touch fittings—threaded type

PLL Series



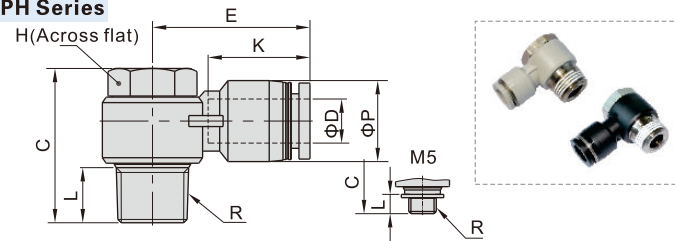
Model\Item	ΦD	R	ΦP	L	K	EA	EB	H	Weight(g)
PLL4M5		M5×0.8	9	3.5	14	17	32.5	8	8.9
PLL401	4	1/8"	9	7.5	14	17	35.5	10	12.3
PLL402		1/4"	9	10	14	17	38.5	14	16.9
PLL6M5		M5×0.8	12.5	3.5	17	20	34.5	8	9.9
PLL601	6	1/8"	12.5	7.5	17	20	37.5	10	13
PLL602		1/4"	12.5	10	17	20	40.5	14	18
PLL603		3/8"	12.5	11	17	20	43	17	23.4
PLL801	8	1/8"	15	7.5	18.5	23	43.5	12	16.6
PLL802		1/4"	15	10	18.5	23	45.5	14	22.7
PLL803		3/8"	15	11	18.5	23	48	17	27.7
PLL1001	10	1/8"	18	7.5	21	25.5	50.5	15	37.5
PLL1002		1/4"	18	10	21	25.5	53.5	15	40.6
PLL1003		3/8"	18	11	21	25.5	54.5	17	40.7
PLL1004		1/2"	18	14	21	25.5	59	21	47.4
PLL1202	12	1/4"	21	10	23	28.5	55.5	15	43
PLL1203		3/8"	21	11	23	29.5	60	17	55.4
PLL1204		1/2"	21	14	23	29.5	63	21	56.7

PHW Series



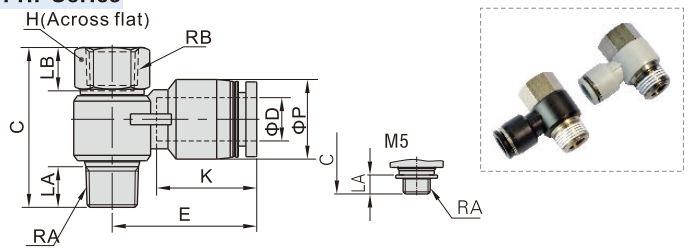
Model\Item	ΦD	R	ΦP	L	C	K	EA	EB	DC	H	Weight(g)
PHW401	4	1/8"	9	7.5	38	14	20.5	14.5	13	11	19
PHW601	6	1/8"	12.5	7.5	38	16.5	23.0	15	13	11	21
PHW602		1/4"	12.5	10	43.5	16.5	25.0	17.5	15.5	14	40.2
PHW603		3/8"	12.5	11	50	16.5	27.0	20	16.5	19	69.2
PHW801	8	1/8"	15	7.5	40.5	18.5	26.5	16.5	15.5	11	23.6
PHW802		1/4"	15	10	43.5	18.5	28.5	18.5	15.5	14	40.8
PHW803		3/8"	15	11	50	18.5	29.5	20	16.5	19	70.4
PHW804		1/2"	15	14	61	18.5	32	24.5	22	24	134.8
PHW1002	10	1/4"	18	10	46.5	21	31	20	18.5	14	47
PHW1003		3/8"	18	11	55	21	33	21	22	19	87.5
PHW1004		1/2"	18	14	61	21	35.5	25	22	24	137.7
PHW1203	12	3/8"	21	11	55	23	36	23	22	19	86.4
PHW1204		1/2"	21	14	61	23	38	26.5	22	24	147.5

PH Series



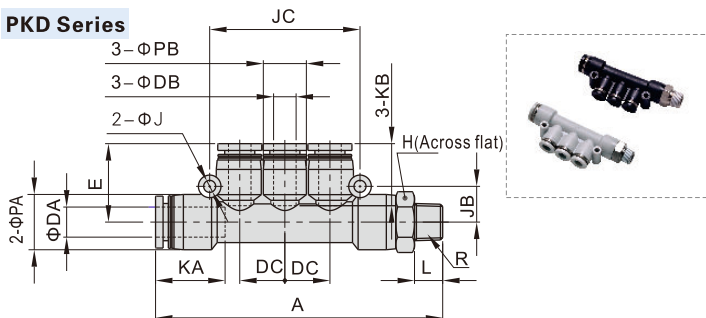
Model\Item	ΦD	R	ΦP	L	C	K	E	H	Weight(g)
PH4M5		M5×0.8	9	3.5	17	14	19	8	5.8
PH401	4	1/8"	9	7.5	25	14	20.5	11	12.8
PH6M5		M5×0.8	12.5	3.5	17	16.5	23.5	8	6.8
PH601	6	1/8"	12.5	7.5	25	16.5	23	11	14
PH602		1/4"	12.5	10	28	16.5	25	14	25.4
PH603		3/8"	12.5	11	33	16.5	27	19	50.2
PH801	8	1/8"	15	7.5	25	18.5	26.5	11	14.7
PH802		1/4"	15	10	28	18.5	28.5	14	26.4
PH803		3/8"	15	11	33	18.5	29.5	19	49.4
PH804		1/2"	15	14	39	18.5	32	24	89
PH1002	10	1/4"	18	10	28	21	31	14	27.7
PH1003		3/8"	18	11	33	21	33	19	51.1
PH1004		1/2"	18	14	39	21	35.5	24	88.5
PH1203	12	3/8"	21	11	33	23	36	19	53
PH1204		1/2"	21	14	39	23	38	24	92.8

PHF Series



Model\Item	ΦD	RA	RB	ΦP	LA	LB	C	K	E	H	Weight(g)
PHF4M5		M5×0.8	M5×0.8	9	3.5	6	20	14	19	8	6.2
PHF401	4	1/8"	1/8"	9	7.5	8	29.5	14	20.5	12	12.9
PHF6M5		M5×0.8	M5×0.8	12.5	3.5	6	20	16.5	23.5	8	7.1
PHF601	6	1/8"	1/8"	12.5	7.5	8	29.5	16.5	23	12	13.9
PHF602		1/4"	1/4"	12.5	10	11	35	16.5	25	17	30.3
PHF603		3/8"	3/8"	12.5	11	12	40	16.5	27	19	44.2
PHF801	8	1/8"	1/8"	15	7.5	8	29.5	18.5	26.5	12	15
PHF802		1/4"	1/4"	15	10	11	35	18.5	28.5	17	30.7
PHF803		3/8"	3/8"	15	11	12	40	18.5	29.5	19	44.8
PHF804		1/2"	1/2"	15	14	13.5	47.5	18.5	32	24	84.7
PHF1002	10	1/4"	1/4"	18	10	11	35	21	31	17	32
PHF1003		3/8"	3/8"	18	11	12	40	21	33	19	46.2
PHF1004		1/2"	1/2"	18	14	13.5	47.5	21	35.5	24	86.1
PHF1203	12	3/8"	3/8"	21	11	12	40	23	36	19	48.4
PHF1204		1/2"	1/2"	21	14	13.5	47.5	23	38	24	89.7

PKD Series



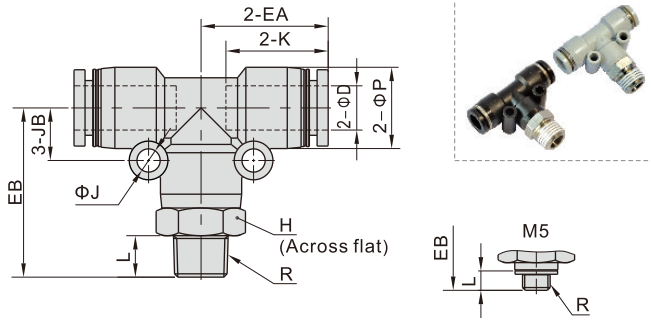
Model\Item	ΦDA	ΦDB	R	L	A	ΦPA	ΦPB	KA
PKD6-401	6	4	1/8"	7.5	66.5	12.5	9	16.5
PKD8-602	8	6	1/4"	10	79	15	12.5	18.5
PKD10-803	10	8	3/8"	11	91.5	18	15	21

Model\Item	KB	ΦJ	JB	JC	DC	E	H	Weight(g)
PKD6-401	14	3.2	8	34	10	17.5	12	15.8
PKD8-602	16.5	3.2	9.5	40	12	21	14	26.5
PKD10-803	18.5	4.3	11	48	14.5	24	17	38.2

Accessories—One-Touch Fittings

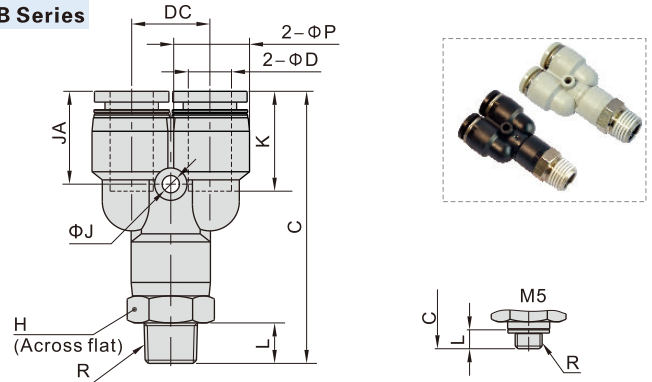
One-touch fittings—threaded type

PEB Series



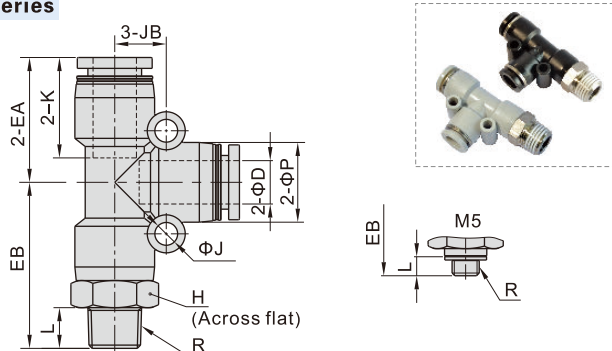
Model/Item	ΦD	R	ΦP	L	K	EA	EB	ΦJ	JB	H	Weight(g)
PEB4M5	4	M5×0.8	9	3.5	14	17	21	3.2	6.5	9	6.8
PEB401		1/8"	9	7.5	14	17	25	3.2	6.5	10	8.8
PEB402		1/4"	9	10	14	17	28	3.2	6.5	14	15.5
PEB6M5	6	M5×0.8	12.5	3.5	16.5	20	23.5	3.2	8	12	11.2
PEB601		1/8"	12.5	7.5	16.5	20	27.5	3.2	8	12	13.5
PEB602		1/4"	12.5	10	16.5	20	30.5	3.2	8	14	18.6
PEB603	3/8"	12.5	11	16.5	20	32	3.2	8	17	25.3	
PEB801	8	1/8"	15	7.5	18.5	23	30.5	4.3	9.5	14	18.4
PEB802		1/4"	15	10	18.5	23	33	4.3	9.5	14	21.3
PEB803		3/8"	15	11	18.5	23	34.5	4.3	9.5	17	28.2
PEB804	1/2"	15	14	18.5	23	38.5	4.3	9.5	21	41	
PEB1001	10	1/8"	18	7.5	21	26.5	34	4.3	11	17	26.7
PEB1002		1/4"	18	10	21	26.5	36.5	4.3	11	17	29.2
PEB1003		3/8"	18	11	21	26.5	37.5	4.3	11	17	31.9
PEB1004	1/2"	18	14	21	26.5	41.5	4.3	11	21	45.4	
PEB1202	12	1/4"	21	10	23	30	41	4.3	13	21	49.6
PEB1203		3/8"	21	11	23	30	42	4.3	13	21	51.2
PEB1204		1/2"	21	14	23	30	45	4.3	13	21	57.3

PYB Series



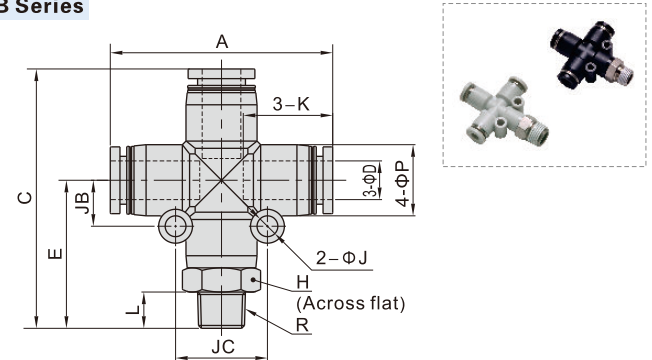
Model/Item	ΦD	R	ΦP	L	C	K	ΦJ	JA	DC	H	Weight(g)
PYB4M5	4	M5×0.8	9	3.5	35.5	14	3.2	13	10	9	6.7
PYB401		1/8"	9	7.5	39.5	14	3.2	13	10	10	9
PYB402		1/4"	9	10	42.5	14	3.2	13	10	14	10.8
PYB6M5	6	M5×0.8	12.5	3.5	40.5	16.5	3.2	15.5	12	12	11.1
PYB601		1/8"	12.5	7.5	44.5	16.5	3.2	15.5	12	12	13.7
PYB602		1/4"	12.5	10	47.5	16.5	3.2	15.5	12	14	18.2
PYB603	3/8"	12.5	11	49.0	16.5	3.2	15.5	12	17	25	
PYB801	8	1/8"	15	7.5	50	18.5	3.2	17	14.5	14	19.8
PYB802		1/4"	15	10	52.5	18.5	3.2	17	14.5	14	22
PYB803		3/8"	15	11	54	18.5	3.2	17	14.5	17	27.7
PYB804	1/2"	15	14	58	18.5	3.2	17	14.5	21	40.8	
PYB1001	10	1/8"	18	7.5	56.5	21	4.3	19.5	18	17	27.4
PYB1002		1/4"	18	10	59	21	4.3	19.5	18	17	29.5
PYB1003		3/8"	18	11	60	21	4.3	19.5	18	17	32.5
PYB1004	1/2"	18	14	64	21	4.3	19.5	18	21	45.4	
PYB1202	12	1/4"	21	10	66	23	4.3	21	20.5	21	27.3
PYB1203		3/8"	21	11	67	23	4.3	21	20.5	21	51.8
PYB1204		1/2"	21	14	70	23	4.3	21	20.5	21	56.8

PED Series



Model/Item	ΦD	R	ΦP	L	K	EA	EB	ΦJ	JB	H	Weight(g)
PED4M5	4	M5×0.8	9	3.5	14	17	21	3.2	6.5	9	6.8
PED401		1/8"	9	7.5	14	17	25	3.2	6.5	10	8.8
PED402		1/4"	9	10	14	17	28	3.2	6.5	14	15.5
PED6M5	6	M5×0.8	12.5	3.5	16.5	20	23.5	3.2	8	12	11.2
PED601		1/8"	12.5	7.5	16.5	20	27.5	3.2	8	12	13.5
PED602		1/4"	12.5	10	16.5	20	30.5	3.2	8	14	18.6
PED603	3/8"	12.5	11	16.5	20	32	3.2	8	17	25.3	
PED801	8	1/8"	15	7.5	18.5	23	30.5	4.3	9.5	14	18.4
PED802		1/4"	15	10	18.5	23	33	4.3	9.5	14	21.3
PED803		3/8"	15	11	18.5	23	34.5	4.3	9.5	17	28.2
PED804	1/2"	15	14	18.5	23	38.5	4.3	9.5	21	41	
PED1001	10	1/8"	18	7.5	21	26.5	34	4.3	11	17	26.7
PED1002		1/4"	18	10	21	26.5	36.5	4.3	11	17	29.2
PED1003		3/8"	18	11	21	26.5	37.5	4.3	11	17	31.9
PED1004	1/2"	18	14	21	26.5	41.5	4.3	11	21	45.4	
PED1202	12	1/4"	21	10	23	30	41	4.3	13	21	49.6
PED1203		3/8"	21	11	23	30	42	4.3	13	21	51.2
PED1204		1/2"	21	14	23	30	45	4.3	13	21	57.3

PZB Series



Model/Item	ΦD	R	L	A	E	C	ΦP	K	ΦJ	JB	JC	H	Weight(g)
PZB601	6	1/8"	7.5		27.5	47.5						12	15.2
PZB602		1/4"	10	39.5	30.5	50.5	12.5	16.5	3.2	8	16	14	20.4
PZB603		3/8"	11		32	52							17
PZB801	8	1/8"	7.5		30.5	53.5						14	20.9
PZB802		1/4"	10	46	33	56	15	18.5	4.3	9.5	19	14	23.8
PZB803		3/8"	11		34.5	57.5							17
PZB804	1/2"	14		38.5	61.5							21	43.5
PZB1002	10	1/4"	10		36.5	63						17	33.5
PZB1003		3/8"	11	52.5	37.5	64	18	21	4.3	11	22	17	36.5
PZB1004		1/2"	14		41.5	68							21
PZB1203	12	3/8"	11		42	72						21	56.5
PZB1204		1/2"	14	59.5	45	75	21	23	4.3	13	26	21	65.4