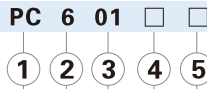


PC, POC series

Ordering code



① Model	② Port size	③ Thread connection		④ Standard color		⑤ Thread type
PC: Male connector 	4: Φ 4mm 6: Φ 6mm 8: Φ 8mm 10: Φ 10mm 12: Φ 124mm	Thread connection	Adaptable port size	Standard color	Specification	Blank: PT
POC: Male connector 		M5: M5X0.8	Φ 4, Φ 6	Blank: Gray	Release button: Gray	
		01: 1/8" 02: 1/4" 03: 3/8" 04: 1/2"	Φ 4, Φ 6 Φ 8, Φ 10 Φ 12	D: Black	Release button: Black	

Specification

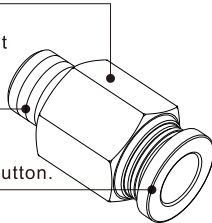
Operating pressure range	0~10kgf/cm ² (0~1.0MPa)
Negative pressure	-750mmHg(10Torr)
Proof pressure	1.5MPa
Ambient and fluid temperature (°C)	-20~70
Applicable tubing	Soft nylon or polyurethane
Color	Grey/black

Table for interface port and tube O.D.

Product series	Thread type	Port size				
		Φ 4	Φ 6	Φ 8	Φ 10	Φ 12
PC	M5	●	●			
	1/8"	●	●	●	●	●
	1/4"	●	●	●	●	●
	3/8"		●	●	●	●
	1/2"		●	●	●	●
POC	M5	●	●			
	1/8"	●	●	●	●	
	1/4"	●	●	●	●	●
	3/8"		●	●	●	●
	1/2"		●	●	●	●

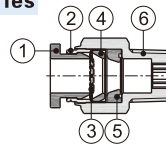
Product feature

- The compact appearance space saving.
- The threaded portion is covered with sealant and the M5 thread is attached with a sealing gasket to prevent air leakage over the connection thread portion.
- Grey and black are optional for the release button.



Inner structure

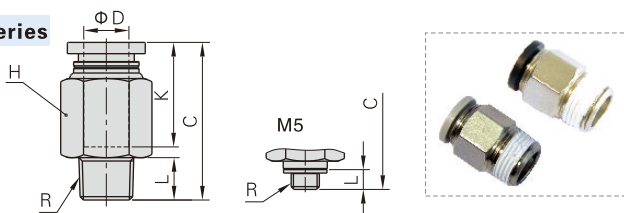
PC Series



No.	Item	Material
1	Release button	POM
2	Guide	Aluminum alloy
3	Spring gasket	Stainless steel
4	Chuck	POM
5	O-ring	NBR
6	Body	Brass

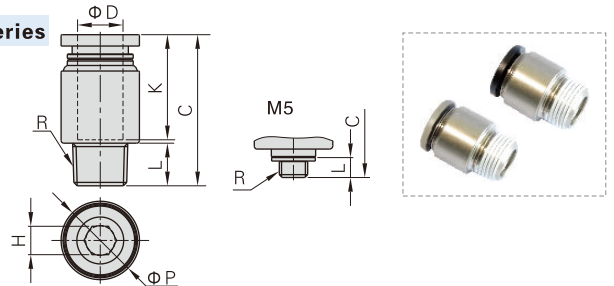
Dimensions

PC Series



Model/Item	Φ D	R	L	C	K	H(Across flat)	Weight(g)
PC4M5	4	M5×0.8	3.5	19.5	14	9	6.5
PC401		1/8"	7.5	19.5	14	10	7
PC402		1/4"	10	19.5	14	14	13.5
PC6M5	6	M5×0.8	3.5	22.5	16.5	12	8.5
PC601		1/8"	7.5	22.0	18.5	12	7.5
PC602		1/4"	10	24.5	18.5	14	15.5
PC603	3/8"	11	22.5	18.5	17	24	
PC604	1/2"	14	26.0	18.5	21	46	
PC801	8	1/8"	7.5	28	18.5	14	13.5
PC802		1/4"	10	27	18.5	14	13
PC803		3/8"	11	23.5	18.5	17	21
PC804	1/2"	14	27	18.5	21	43.5	
PC1001	10	1/8"	7.5	30	21	17	20.5
PC1002		1/4"	10	32.5	21	17	24
PC1003		3/8"	11	28	21	17	20.5
PC1004	1/2"	14	26.5	21	21	36	
PC1201	12	1/8"	7.5	32.5	23	21	38.5
PC1202		1/4"	10	35	23	21	40.5
PC1203		3/8"	11	30.5	23	21	28.5
PC1204		1/2"	14	32.5	23	21	41.5

POC Series



Model/Item	Φ D	R	Φ P	L	C	K	H(Across flat)	Weight(g)
POC4M5	4	M5×0.8	9	3.5	18.5	14	2.5	3.6
POC401		1/8"	10	7.5	18	14	3	5.5
POC402		1/4"	14	10	19.5	14	3	12.6
POC6M5	6	M5×0.8	12	3.5	21.5	16.5	2	5.9
POC601		1/8"	12	7.5	22.0	18.5	4	6.3
POC602		1/4"	14	10	22.0	18.5	4	11.8
POC801	8	1/8"	14	7.5	26.5	18	5	9.9
POC802		1/4"	14	10	25	18	6	10.1
POC803		3/8"	17	11	23.5	18	6	19.3
POC1001	10	1/8"	17	7.5	30	21	5	16.5
POC1002		1/4"	17	10	29	21	6	15.4
POC1003		3/8"	17	11	28	21	8	18.7
POC1004	1/2"	21	14	26.5	21	8	35.3	
POC1202	12	1/4"	21	10	34.5	23	6	32.3
POC1203		3/8"	21	11	30	23	8	25.1
POC1204		1/2"	21	14	32	23	8	37.5

PC, PL mini series

Ordering code

PC 6 01 □ □ - M

① ② ③ ④ ⑤ ⑥

① Model	② Port size	③ Thread connection		④ Standard color		⑤ Thread type	⑥ Style type
PC: Male connector 	3.2: Φ 3.2mm 4: Φ 4mm 6: Φ 6mm	Thread connection	Adaptable port size	Standard color	Specification	Blank: PT	M: Mini type
PL: Male elbow 		M3: M3X0.5	Φ 3.2, Φ 4	Blank: Gray	Release button: Gray		
		M5: M5X0.8	Φ 3.2, Φ 4, Φ 6	D: Black	Release button: Black		
		01: 1/8"	Φ 4, Φ 6				

Specification

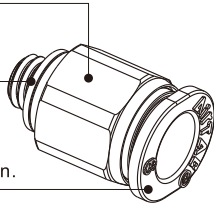
Operating pressure range	0~10kgf/cm²(0~1.0MPa)
Negative pressure	-750mmHg(10Torr)
Proof pressure	1.5MPa
Ambient and fluid temperature (°C)	-20~70
Applicable tubing	Soft nylon or polyurethane
Color	Grey/black

Table for interface port and tube O.D.

Product series	Thread type	Port size		
		Φ 3.2	Φ 4	Φ 6
PC/PL	M3	●	●	
	M5	●	●	●
	1/8"		●	●

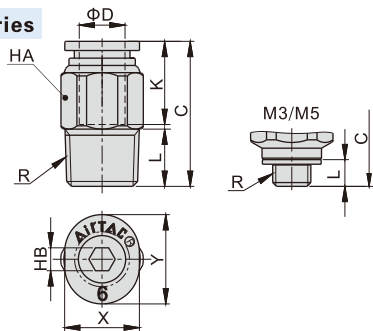
Product feature

1. The compact appearance space saving.
2. The threaded portion is covered with sealant and the M3/M5 thread is attached with a sealing gasket to prevent air leakage over the connection thread portion.
3. Grey and black are optional for the release button.



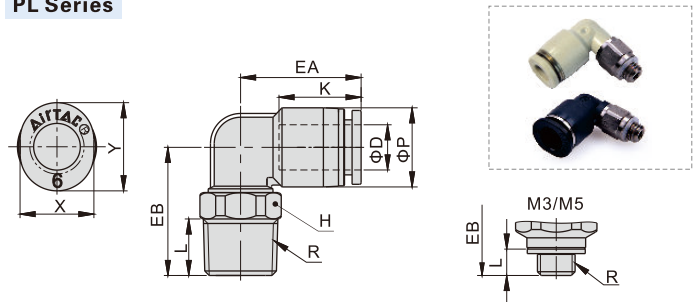
Dimensions

PC Series



Model/Item	ΦD	R	L	C	K	X	Y	HA	HB	Weight(g)
PC3.2M3-M	3.2	M3×0.5	3	16	11.5	6.8	8.7	7	1.5	1.7
PC3.2M5-M		M5×0.8	3.5	16	11.5	6.8	8.7	7	2	2.0
PC4M3-M	4	M3×0.5	3	17.5	12.5	7.8	9.5	8	1.5	2.4
PC4M5-M		M5×0.8	3.5	17	12.5	7.8	9.5	8	2	2.7
PC401-M		1/8"	7.5	17.5	13.5	7.8	9.5	10	3	5.5
PC6M5-M	6	M5×0.8	3.5	18.5	13.5	9.8	11.7	10	2	3.6
PC601-M		1/8"	7.5	19.0	15.5	9.8	11.7	10	4	6.0

PL Series



Model/Item	ΦD	R	ΦP	L	K	EA	EB	H	X	Y	Weight(g)
PL3.2M3-M	3.2	M3×0.5	7.5	3	12	14.5	14	7	6.8	8.7	2.4
PL3.2M5-M		M5×0.8		3.5	12		14.5	7	6.8	8.7	2.7
PL4M3-M	4	M3×0.5		3	12.5		14	7	7.8	9.5	3.0
PL4M5-M		M5×0.8	8.5	3.5	12.5	15	14.5	7	7.8	9.5	3.3
PL401-M		1/8"		7.5	12.5		16	10	7.8	9.5	6.2
PL6M5-M	6	M5×0.8	10.5	3.5	13.5	16.0	15.5	7	9.8	11.7	4.0
PL601-M		1/8"		7.5	13.5		16.5	10	9.8	11.7	6.8

One-touch fittings—threaded type

Ordering code

Same diameter type fittings

PL 6 01 □ □

① ② ③ ④ ⑤

① Model	② Port size	③ Thread connection	④ Standard color		⑤ Thread type
PHW: Double universal male elbow 	PL: Male elbow 	Thread connection	Standard color	Specification	Adaptable model
PHF: Universal female elbow 	PLL: Extended male elbow 	M5: M5X0.8	Blank: Gray	Release button: Gray	PCF PMF
PEB: Male branch tee 	PLF: Female elbow 	4: Φ4mm 6: Φ6mm 8: Φ8mm 10: Φ10mm 12: Φ12mm	D: Black	Body: Gray	Others
PED: Male run tee 	PCF: Female connector 			Release button: Black	PCF PMF
PYB: Branch "Y" 	PMF: Bulkhead connector 	01: 1/8" 02: 1/4" 03: 3/8" 04: 1/2"	Φ4, Φ6 Φ8, Φ10 Φ12	Release button: Black	Others
PZB: Threaded cross 	PH: Universal male elbow 			Body: Black	

Different diameter type fittings

PKD 6 - 4 01 □ □

① ② ③ ④ ⑤ ⑥

① Model	② Port size	③ Port size	④ Thread connection	⑤ Standard color	⑥ Thread type	
PKD: Male reducer triple branch 	6: Φ6mm 8: Φ8mm 10: Φ10mm	4: Φ4mm 6: Φ6mm 8: Φ8mm	01: 1/8" 02: 1/4" 03: 3/8"	Standard color: Blank: Gray D: Black	Specification: Release button: Gray/Body: Gray Release button: Black/Body: Black	Blank: PT

Specification

Operating pressure range	0~10kg/cm ² (0~1.0MPa)
Negative pressure	-750mmHg(10Torr)
Proof pressure	1.5MPa
Ambient and fluid temperature (°C)	-20~70
Applicable tubing	Soft nylon or polyurethane
Color	Grey/black

Product feature

- Variable models can be widely used in every kind of pneumatic systems.
- High circulation performance: bear the same flow with the volume of the tubing inside diameter.
- Connect tubing easily and conveniently. The tubing connection portion is safe and durable.
- The threaded portion is covered with sealant and the M5 thread is attached with a sealing gasket to prevent air leakage over the connection thread portion.
- The nickel plated body is anti-corrosion and anti-pollution, which allows a broader application.

Inner structure

No.	Item	Material
1	Release button	POM
2	Guide	Aluminum alloy
3	Spring gasket	Stainless steel
4	Chuck	POM
5	O-ring	NBR
6	Body	PBT
7	O-ring	NBR
8	Stud	Brass

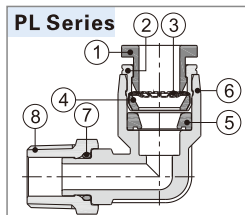


Table for interface port and tube O.D.

Product series	Thread type	Port size				
		Φ4	Φ6	Φ8	Φ10	Φ12
PL	M5	●	●			
	1/8"	●	●	●	●	●
	1/4"	●	●	●	●	●
	3/8"		●	●	●	●
PLL	M5	●	●			
	1/8"	●	●	●	●	●
	1/4"	●	●	●	●	●
	3/8"		●	●	●	●
PEB PED PYB	M5	●	●			
	1/8"	●	●	●	●	●
	1/4"	●	●	●	●	●
	3/8"		●	●	●	●
PH PHF	M5	●	●			
	1/8"	●	●	●		
	1/4"		●	●	●	
	3/8"		●	●	●	●
PHW	1/8"	●	●	●		
	1/4"		●	●	●	
	3/8"		●	●	●	●
	1/2"			●	●	●
PZB	1/8"		●	●		
	1/4"		●	●	●	
	3/8"		●	●	●	●

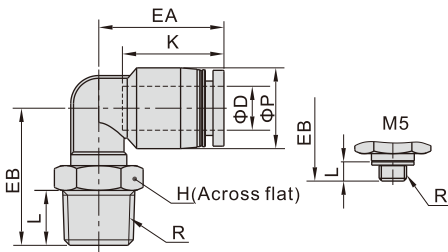
Product series	Thread type	Port size				
		Φ4	Φ6	Φ8	Φ10	Φ12
PLF	M5	●	●			
	1/8"	●	●	●	●	
	1/4"	●	●	●	●	●
	3/8"		●	●	●	●
PCF	M5	●	●			
	1/8"	●	●	●	●	
	1/4"	●	●	●	●	●
	3/8"		●	●	●	●
PMF	M5	●	●			
	1/8"	●	●	●	●	
	1/4"	●	●	●	●	●
	3/8"		●	●	●	●

Product series	Thread type	Port size		
		Φ6-Φ4	Φ8-Φ6	Φ10-Φ8
PKD	1/8"	●		
	1/4"		●	
	3/8"			●

One-touch fittings—threaded type

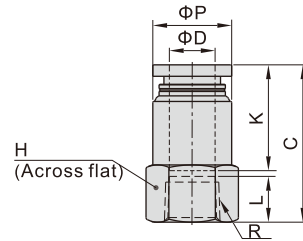
Dimensions

PL Series



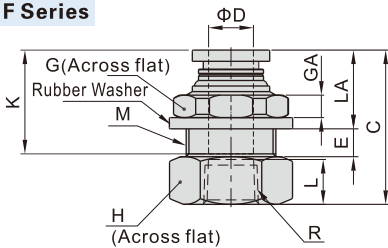
Model\Item	ØD	R	ØP	L	K	EA	EB	H	Weight(g)
PL4M5	4	M5×0.8	9	3.5	14	17	15	8	3
PL401		1/8"	9	7.5	14	17	18.5	10	4.5
PL402		1/4"	9	10	14	17	22.0	14	12
PL6M5	6	M5×0.8	12.5	3.5	17	20	17.0	8	4.5
PL601		1/8"	12.5	7.5	17	20	20.5	10	6
PL602		1/4"	12.5	10	17	20	24.0	14	13.5
PL603	6	3/8"	12.5	11	17	20	25.5	17	20.5
PL604		1/2"	12.5	14	17	20	30.0	21	36
PL801	8	1/8"	15	7.5	18.5	23	20.5	10	7.5
PL802		1/4"	15	10	18.5	23	25.0	14	13
PL803		3/8"	15	11	18.5	23	26.5	17	21
PL804		1/2"	15	14	18.5	23	31.0	21	36
PL1001	10	1/8"	18	7.5	21	25.5	25.0	17	16.5
PL1002		1/4"	18	10	21	25.5	27.0	17	19
PL1003		3/8"	18	11	21	25.5	28.0	17	21
PL1004	10	1/2"	18	14	21	25.5	32.5	21	37
PL1201	12	1/8"	21	7.5	23	28.5	26.5	17	19
PL1202		1/4"	21	10	23	28.5	28.5	17	21.5
PL1203		3/8"	21	11	23	29.5	33	17	25.5
PL1204		1/2"	21	14	23	29.5	34	21	37

PCF Series



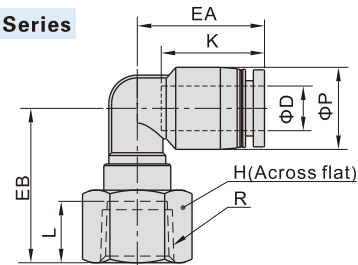
Model\Item	ØD	R	ØP	L	C	K	H	Weight(g)
PCF4M5	4	M5×0.8	9	5	21	14	10	2.7
PCF401		1/8"	9.5	8	23	14	14	4.5
PCF402		1/4"	9.5	11	26	14	17	6.5
PCF6M5	6	M5×0.8	12	5	21.5	16.5	12	3.9
PCF601		1/8"	12.5	8	25.5	16.5	14	5.6
PCF602		1/4"	12.5	11	28.5	16.5	17	7.5
PCF603	6	3/8"	13	12	29.5	16.5	21	10.7
PCF604		1/2"	13	13.5	31.0	16.5	25	13.8
PCF801	8	1/8"	14	8	27.5	18.5	14	5.8
PCF802		1/4"	14.5	11	30.5	18.5	17	8.4
PCF803		3/8"	14.5	12	31.5	18.5	21	11.2
PCF804		1/2"	14.5	13.5	33	18.5	25	14.4
PCF1001	10	1/8"	17	8	29	21	17	9.5
PCF1002		1/4"	17	11	33	21	17	9.9
PCF1003		3/8"	18	12	34	21	21	14
PCF1004	10	1/2"	18	13.5	35.5	21	25	17.1
PCF1202	12	1/4"	21	11	33.5	23	21	17.5
PCF1203		3/8"	21	12	35.5	23	21	16.6
PCF1204		1/2"	21	13.5	37	23	25	19.7

PMF Series



Model\Item	ØD	R	M	L	C	K	LA	E	GA	G	H	Weight(g)
PMF401	4	1/8"	M12X1	8	25	14	12	4	4	14	14	6.4
PMF402		1/4"	M12X1	11	29	14	12	4	4	14	17	9
PMF601	6	1/8"	M14X1	8	25.5	16.5	12.5	5	4	17	17	9.1
PMF602		1/4"	M14X1	11	30.5	16.5	12.5	5	4	17	17	10.9
PMF603		3/8"	M14X1	12	31.5	16.5	12.5	5	4	17	21	13.2
PMF801	8	1/8"	M16X1	8	27.5	18.5	13.5	5.5	4	19	19	12.8
PMF802		1/4"	M16X1	11	32	18.5	13.5	5.5	4	19	19	15.7
PMF803		3/8"	M16X1	12	33	18.5	13.5	5.5	4	19	21	15
PMF804		1/2"	M16X1	13.5	34.5	18.5	13.5	5.5	4	19	25	18.1
PMF1001	10	1/8"	M20X1	8	30	21	14.5	7.5	5	24	22	19.6
PMF1002		1/4"	M20X1	11	35	21	14.5	7.5	5	24	22	22.8
PMF1003		3/8"	M20X1	12	36	21	14.5	7.5	5	24	22	21.1
PMF1004		1/2"	M20X1	13.5	37.5	21	14.5	7.5	5	24	25	23.2
PMF1202	12	1/4"	M22X1	11	34.5	23	15.5	8	6	27	24	26.2
PMF1203		3/8"	M22X1	12	37.5	23	15.5	8	6	27	24	27
PMF1204		1/2"	M22X1	13.5	39	23	15.5	8	6	27	25	26.2

PLF Series

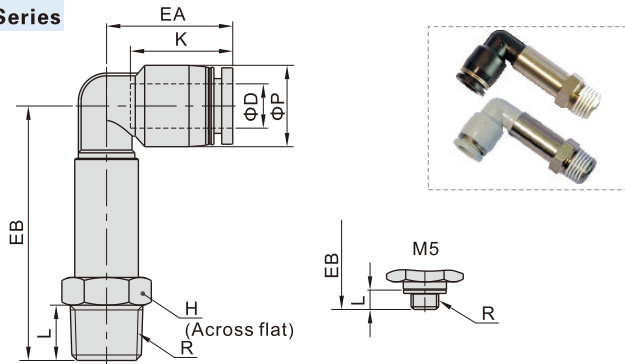


Model\Item	ØD	R	ØP	L	K	EA	EB	H	Weight(g)
PLF4M5	4	M5×0.8	9	5	14	17	16	10	2.9
PLF401		1/8"	9	8	14	17	21	14	4.6
PLF402		1/4"	9	11	14	17	24	17	6.8
PLF6M5	6	M5×0.8	12.5	5	17	20	18.5	10	7
PLF601		1/8"	12.5	8	17	20	23	14	5.8
PLF602		1/4"	12.5	11	17	20	26	17	8
PLF603	6	3/8"	12.5	12	17	20	27	21	10.7
PLF801		1/8"	15	8	18.5	23	20	14	6.6
PLF802	8	1/4"	15	11	18.5	23	27.5	17	9.2
PLF803		3/8"	15	12	18.5	23	28.5	21	11.9
PLF804		1/2"	15	13.5	18.5	23	30	25	15.2
PLF1001		1/8"	18	8	21	25.5	24	17	11.3
PLF1002	10	1/4"	18	11	21	25.5	26.5	17	11.2
PLF1003		3/8"	18	12	21	25.5	30	21	14.5
PLF1004		1/2"	18	13.5	21	25.5	31.5	25	17.4
PLF1202	12	1/4"	21	11	23	28.5	28.5	17	13.7
PLF1203		3/8"	21	12	23	29.5	32	21	17.4
PLF1204		1/2"	21	13.5	23	29.5	33	25	20.4

Accessories—One-Touch Fittings

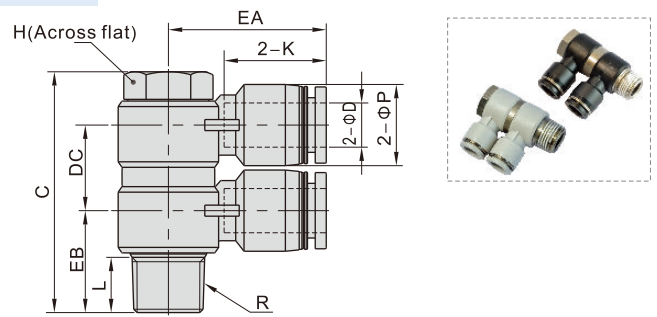
One-touch fittings—threaded type

PLL Series



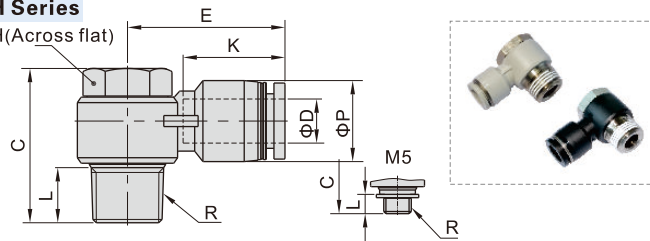
Model/Item	ΦD	R	ΦP	L	K	EA	EB	H	Weight(g)
PLL4M5		M5×0.8	9	3.5	14	17	32.5	8	8.9
PLL401	4	1/8"	9	7.5	14	17	35.5	10	12.3
PLL402		1/4"	9	10	14	17	38.5	14	16.9
PLL6M5		M5×0.8	12.5	3.5	17	20	34.5	8	9.9
PLL601	6	1/8"	12.5	7.5	17	20	37.5	10	13
PLL602		1/4"	12.5	10	17	20	40.5	14	18
PLL603		3/8"	12.5	11	17	20	43	17	23.4
PLL801	8	1/8"	15	7.5	18.5	23	43.5	12	16.6
PLL802		1/4"	15	10	18.5	23	45.5	14	22.7
PLL803		3/8"	15	11	18.5	23	48	17	27.7
PLL1001	10	1/8"	18	7.5	21	25.5	50.5	15	37.5
PLL1002		1/4"	18	10	21	25.5	53.5	15	40.6
PLL1003		3/8"	18	11	21	25.5	54.5	17	40.7
PLL1004		1/2"	18	14	21	25.5	59	21	47.4
PLL1202	12	1/4"	21	10	23	28.5	55.5	15	43
PLL1203		3/8"	21	11	23	29.5	60	17	55.4
PLL1204		1/2"	21	14	23	29.5	63	21	56.7

PHW Series



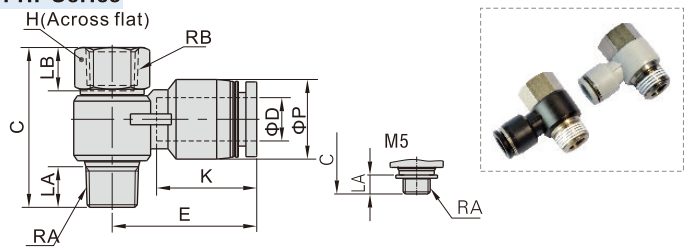
Model/Item	ΦD	R	ΦP	L	C	K	EA	EB	DC	H	Weight(g)
PHW401	4	1/8"	9	7.5	38	14	20.5	14.5	13	11	19
PHW601		1/8"	12.5	7.5	38	16.5	23.0	15	13	11	21
PHW602	6	1/4"	12.5	10	43.5	16.5	25.0	17.5	15.5	14	40.2
PHW603		3/8"	12.5	11	50	16.5	27.0	20	16.5	19	69.2
PHW801	8	1/8"	15	7.5	40.5	18.5	26.5	16.5	15.5	11	23.6
PHW802		1/4"	15	10	43.5	18.5	28.5	18.5	15.5	14	40.8
PHW803		3/8"	15	11	50	18.5	29.5	20	16.5	19	70.4
PHW804		1/2"	15	14	61	18.5	32	24.5	22	24	134.8
PHW1002	10	1/4"	18	10	46.5	21	31	20	18.5	14	47
PHW1003		3/8"	18	11	55	21	33	21	22	19	87.5
PHW1004		1/2"	18	14	61	21	35.5	25	22	24	137.7
PHW1203	12	3/8"	21	11	55	23	36	23	22	19	86.4
PHW1204		1/2"	21	14	61	23	38	26.5	22	24	147.5

PH Series



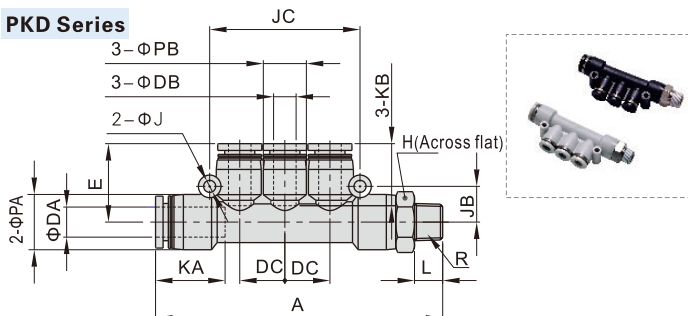
Model/Item	ΦD	R	ΦP	L	C	K	E	H	Weight(g)
PH4M5		M5×0.8	9	3.5	17	14	19	8	5.8
PH401	4	1/8"	9	7.5	25	14	20.5	11	12.8
PH6M5		M5×0.8	12.5	3.5	17	16.5	23.5	8	6.8
PH601	6	1/8"	12.5	7.5	25	16.5	23	11	14
PH602		1/4"	12.5	10	28	16.5	25	14	25.4
PH603		3/8"	12.5	11	33	16.5	27	19	50.2
PH801	8	1/8"	15	7.5	25	18.5	26.5	11	14.7
PH802		1/4"	15	10	28	18.5	28.5	14	26.4
PH803		3/8"	15	11	33	18.5	29.5	19	49.4
PH804		1/2"	15	14	39	18.5	32	24	89
PH1002	10	1/4"	18	10	28	21	31	14	27.7
PH1003		3/8"	18	11	33	21	33	19	51.1
PH1004		1/2"	18	14	39	21	35.5	24	88.5
PH1203	12	3/8"	21	11	33	23	36	19	53
PH1204		1/2"	21	14	39	23	38	24	92.8

PHF Series



Model/Item	ΦD	RA	RB	ΦP	LA	LB	C	K	E	H	Weight(g)
PHF4M5		M5×0.8	M5×0.8	9	3.5	6	20	14	19	8	6.2
PHF401	4	1/8"	1/8"	9	7.5	8	29.5	14	20.5	12	12.9
PHF6M5		M5×0.8	M5×0.8	12.5	3.5	6	20	16.5	23.5	8	7.1
PHF601	6	1/8"	1/8"	12.5	7.5	8	29.5	16.5	23	12	13.9
PHF602		1/4"	1/4"	12.5	10	11	35	16.5	25	17	30.3
PHF603		3/8"	3/8"	12.5	11	12	40	16.5	27	19	44.2
PHF801	8	1/8"	1/8"	15	7.5	8	29.5	18.5	26.5	12	15
PHF802		1/4"	1/4"	15	10	11	35	18.5	28.5	17	30.7
PHF803		3/8"	3/8"	15	11	12	40	18.5	29.5	19	44.8
PHF804		1/2"	1/2"	15	14	13.5	47.5	18.5	32	24	84.7
PHF1002	10	1/4"	1/4"	18	10	11	35	21	31	17	32
PHF1003		3/8"	3/8"	18	11	12	40	21	33	19	46.2
PHF1004		1/2"	1/2"	18	14	13.5	47.5	21	35.5	24	86.1
PHF1203	12	3/8"	3/8"	21	11	12	40	23	36	19	48.4
PHF1204		1/2"	1/2"	21	14	13.5	47.5	23	38	24	89.7

PKD Series



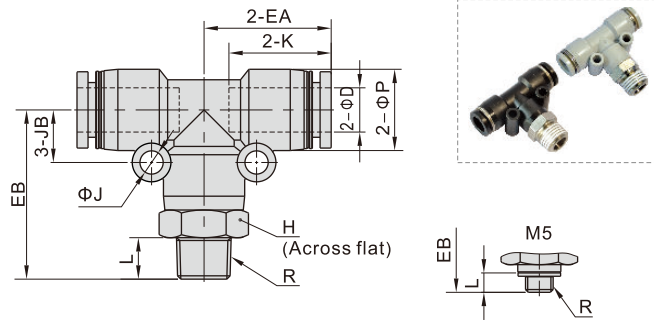
Model/Item	ΦDA	ΦDB	R	L	A	ΦPA	ΦPB	KA
PKD6-401	6	4	1/8"	7.5	66.5	12.5	9	16.5
PKD8-602	8	6	1/4"	10	79	15	12.5	18.5
PKD10-803	10	8	3/8"	11	91.5	18	15	21

Model/Item	KB	ΦJ	JB	JC	DC	E	H	Weight(g)
PKD6-401	14	3.2	8	34	10	17.5	12	15.8
PKD8-602	16.5	3.2	9.5	40	12	21	14	26.5
PKD10-803	18.5	4.3	11	48	14.5	24	17	38.2

Accessories—One-Touch Fittings

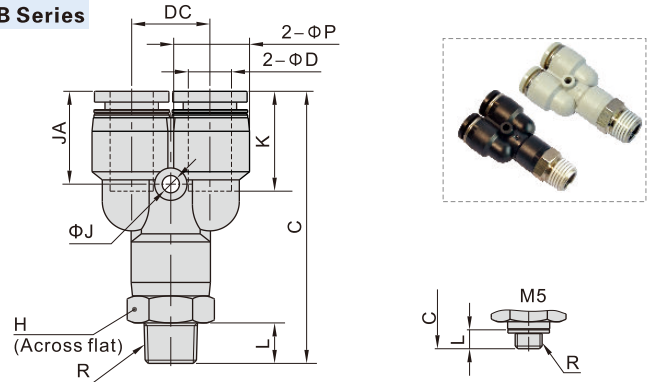
One-touch fittings—threaded type

PEB Series



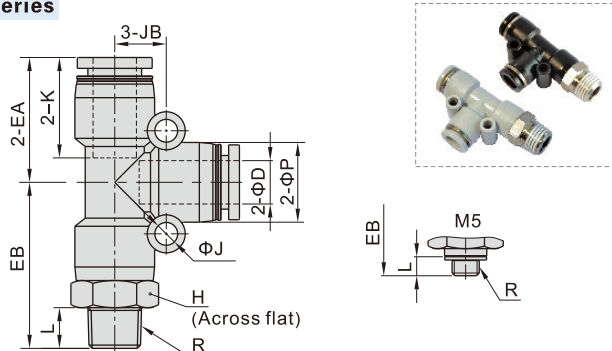
Model/Item	ΦD	R	ΦP	L	K	EA	EB	ΦJ	JB	H	Weight(g)
PEB4M5	4	M5×0.8	9	3.5	14	17	21	3.2	6.5	9	6.8
PEB401		1/8"	9	7.5	14	17	25	3.2	6.5	10	8.8
PEB402		1/4"	9	10	14	17	28	3.2	6.5	14	15.5
PEB6M5	6	M5×0.8	12.5	3.5	16.5	20	23.5	3.2	8	12	11.2
PEB601		1/8"	12.5	7.5	16.5	20	27.5	3.2	8	12	13.5
PEB602		1/4"	12.5	10	16.5	20	30.5	3.2	8	14	18.6
PEB603	6	3/8"	12.5	11	16.5	20	32	3.2	8	17	25.3
PEB801		1/8"	15	7.5	18.5	23	30.5	4.3	9.5	14	18.4
PEB802		1/4"	15	10	18.5	23	33	4.3	9.5	14	21.3
PEB803	8	3/8"	15	11	18.5	23	34.5	4.3	9.5	17	28.2
PEB804		1/2"	15	14	18.5	23	38.5	4.3	9.5	21	41
PEB1001		1/8"	18	7.5	21	26.5	34	4.3	11	17	26.7
PEB1002	10	1/4"	18	10	21	26.5	36.5	4.3	11	17	29.2
PEB1003		3/8"	18	11	21	26.5	37.5	4.3	11	17	31.9
PEB1004		1/2"	18	14	21	26.5	41.5	4.3	11	21	45.4
PEB1202	12	1/4"	21	10	23	30	41	4.3	13	21	49.6
PEB1203		3/8"	21	11	23	30	42	4.3	13	21	51.2
PEB1204		1/2"	21	14	23	30	45	4.3	13	21	57.3

PYB Series



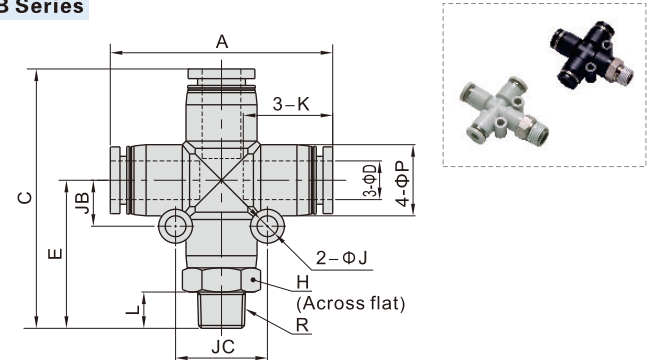
Model/Item	ΦD	R	ΦP	L	C	K	ΦJ	JA	DC	H	Weight(g)
PYB4M5	4	M5×0.8	9	3.5	35.5	14	3.2	13	10	9	6.7
PYB401		1/8"	9	7.5	39.5	14	3.2	13	10	10	9
PYB402		1/4"	9	10	42.5	14	3.2	13	10	14	10.8
PYB6M5	6	M5×0.8	12.5	3.5	40.5	16.5	3.2	15.5	12	12	11.1
PYB601		1/8"	12.5	7.5	44.5	16.5	3.2	15.5	12	12	13.7
PYB602		1/4"	12.5	10	47.5	16.5	3.2	15.5	12	14	18.2
PYB603	6	3/8"	12.5	11	49.0	16.5	3.2	15.5	12	17	25
PYB801		1/8"	15	7.5	50	18.5	3.2	17	14.5	14	19.8
PYB802		1/4"	15	10	52.5	18.5	3.2	17	14.5	14	22
PYB803	8	3/8"	15	11	54	18.5	3.2	17	14.5	17	27.7
PYB804		1/2"	15	14	58	18.5	3.2	17	14.5	21	40.8
PYB1001		1/8"	18	7.5	56.5	21	4.3	19.5	18	17	27.4
PYB1002	10	1/4"	18	10	59	21	4.3	19.5	18	17	29.5
PYB1003		3/8"	18	11	60	21	4.3	19.5	18	17	32.5
PYB1004		1/2"	18	14	64	21	4.3	19.5	18	21	45.4
PYB1202	12	1/4"	21	10	66	23	4.3	21	20.5	21	27.3
PYB1203		3/8"	21	11	67	23	4.3	21	20.5	21	51.8
PYB1204		1/2"	21	14	70	23	4.3	21	20.5	21	56.8

PED Series



Model/Item	ΦD	R	ΦP	L	K	EA	EB	ΦJ	JB	H	Weight(g)
PED4M5	4	M5×0.8	9	3.5	14	17	21	3.2	6.5	9	6.8
PED401		1/8"	9	7.5	14	17	25	3.2	6.5	10	8.8
PED402		1/4"	9	10	14	17	28	3.2	6.5	14	15.5
PED6M5	6	M5×0.8	12.5	3.5	16.5	20	23.5	3.2	8	12	11.2
PED601		1/8"	12.5	7.5	16.5	20	27.5	3.2	8	12	13.5
PED602		1/4"	12.5	10	16.5	20	30.5	3.2	8	14	18.6
PED603	6	3/8"	12.5	11	16.5	20	32	3.2	8	17	25.3
PED801		1/8"	15	7.5	18.5	23	30.5	4.3	9.5	14	18.4
PED802		1/4"	15	10	18.5	23	33	4.3	9.5	14	21.3
PED803	8	3/8"	15	11	18.5	23	34.5	4.3	9.5	17	28.2
PED804		1/2"	15	14	18.5	23	38.5	4.3	9.5	21	41
PED1001		1/8"	18	7.5	21	26.5	34	4.3	11	17	26.7
PED1002	10	1/4"	18	10	21	26.5	36.5	4.3	11	17	29.2
PED1003		3/8"	18	11	21	26.5	37.5	4.3	11	17	31.9
PED1004		1/2"	18	14	21	26.5	41.5	4.3	11	21	45.4
PED1202	12	1/4"	21	10	23	30	41	4.3	13	21	49.6
PED1203		3/8"	21	11	23	30	42	4.3	13	21	51.2
PED1204		1/2"	21	14	23	30	45	4.3	13	21	57.3

PZB Series



Model/Item	ΦD	R	L	A	E	C	ΦP	K	ΦJ	JB	JC	H	Weight(g)	
PZB601	6	1/8"	7.5		27.5	47.5						12	15.2	
PZB602		1/4"	10	39.5	30.5	50.5	12.5	16.5	3.2	8	16	14	20.4	
PZB603		3/8"	11		32	52							17	27
PZB801	8	1/8"	7.5		30.5	53.5						14	20.9	
PZB802		1/4"	10	46	33	56	15	18.5	4.3	9.5	19	14	23.8	
PZB803		3/8"	11		34.5	57.5							17	29.9
PZB804	8	1/2"	14		38.5	61.5						21	43.5	
PZB1002		1/4"	10		36.5	63							17	33.5
PZB1003		10	3/8"	11	52.5	37.5	64	18	21	4.3	11	22	17	36.5
PZB1004	1/2"		14		41.5	68							21	49.2
PZB1203	12		3/8"	11		42	72						21	56.5
PZB1204		1/2"	14	59.5	45	75	21	23	4.3	13	26	21	65.4	