

GAF Series Filter



Symbol



Product feature

1. Unique diversion structure spins the air flowing through to effectively separate the liquid from the air and reliably filter the solid grain.
2. It has low pressure loss, high efficiency in separating water and large drain bowl capacity.
3. Filtering grade includes 5 μ m and 40 μ m (Optional).
4. Three drain types are available: manual drain, semi-auto drain and automatic drain.
5. Two drain types are available: semi-auto drain and automatic drain.
6. Three material of bowl are available: PC, Nylon and metal.
7. The bracket can be selected for installation.

Specification

| Model | GAF200-06 | GAF200-08 | GAF300-08 | GAF300-10 | GAF300-15 | GAF400-10 | GAF400-15 | GAF500-20 | GAF600-20 | GAF600-25 |
|------------------------|-------------------------|-----------|-----------|-----------|-----------|-----------|-----------|-----------|-----------|-----------|
| Fluid | Air | | | | | | | | | |
| Port size [Note1] | 1/8" | 1/4" | 1/4" | 3/8" | 1/2" | 3/8" | 1/2" | 3/4" | 3/4" | 1" |
| Filtering grade | 40 μ m or 5 μ m | | | | | | | | | |
| Pressure range | 0.15~0.9MPa(20~130psi) | | | | | | | | | |
| Proof pressure | 1.5MPa(215psi) | | | | | | | | | |
| Temperature range | -5~70°C(Unfreeze) | | | | | | | | | |
| Capacity of drain bowl | 25CC | | 60CC | | | 100CC | | 108CC | 205CC | |
| Weight | 200g | | 360g | | | 640g | | 680g | 1040g | |

[Note1] PT thread, G thread and NPT thread are available.

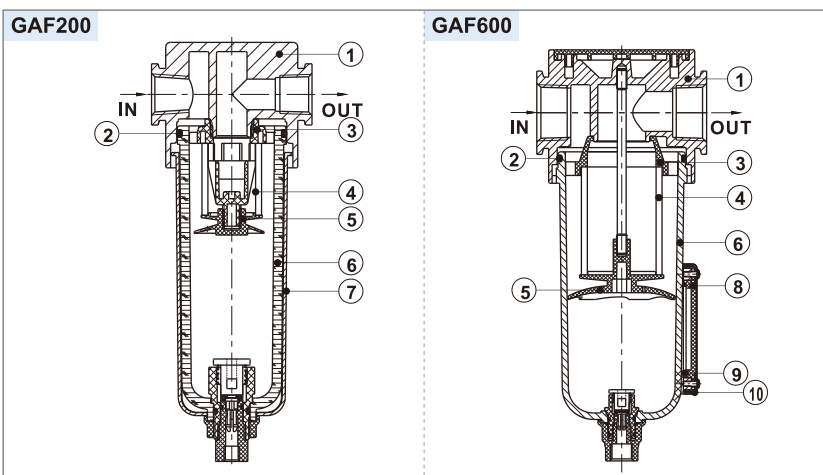
Ordering code

GAF 300 □ 10 □ □ W G

① ② ③ ④ ⑤ ⑥ ⑦

| ① Model | ② Bowl material | ③ Port size | ④ Drain type | ⑤ Accessories | ⑥ Filtering grade | ⑦ Thread type |
|----------------------------|---|----------------------------------|---|---------------------------------|-----------------------------------|-----------------------------|
| GAF200:GA200 Series Filter | Blank : PC bowl C: Metal bowl N: Nylon bowl | 06: 1/8" 08: 1/4" | Blank: Semi-auto drain +Manual drain A: Automatic drain | Blank: Bracket J: No bracket | Blank: 40 μ m W: 5 μ m | Blank: PT G: G T: NPT |
| GAF300:GA300 Series Filter | | 08: 1/4" 10: 3/8" 15: 1/2" | | | | |
| GAF400:GA400 Series Filter | | 10: 3/8" 15: 1/2" | | | | |
| GAF500:GA500 Series Filter | | 20: 3/4" | | | | |
| GAF600:GA600 Series Filter | | 20: 3/4" 25: 1" | | | | |

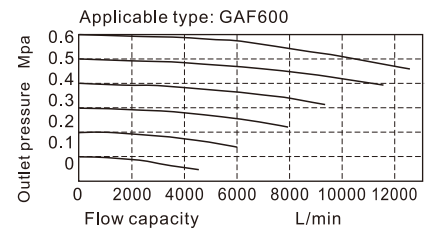
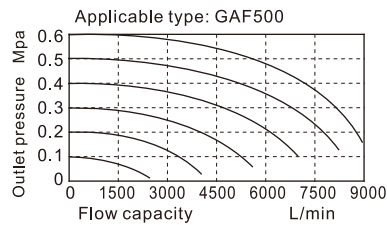
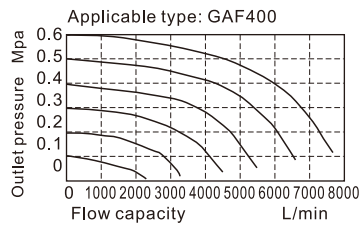
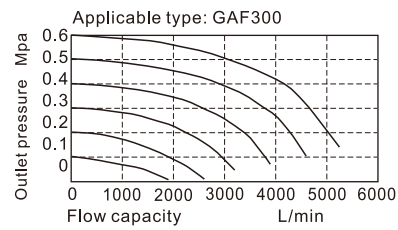
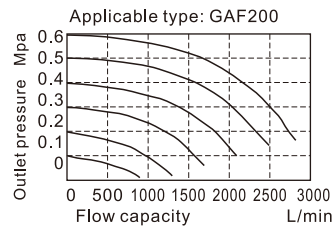
Inner structure



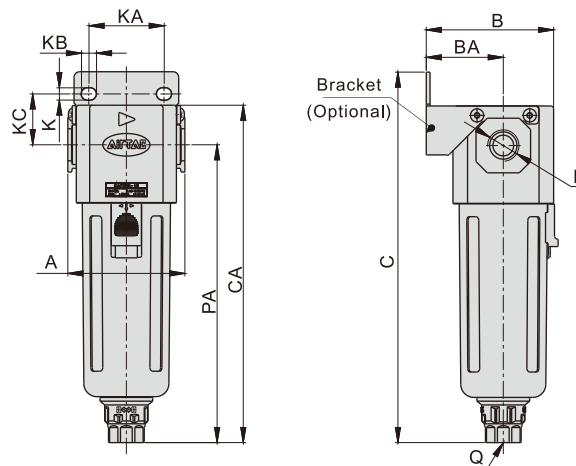
| No. | Item | Material |
|-----|---------------------------|-------------------------|
| 1 | Body | Aluminum alloy |
| 2 | O-ring | NBR |
| 3 | Air guide | High viscosity POM |
| 4 | Filter core | HDPE |
| 5 | Umbrella baffle | High viscosity POM |
| 6 | Drain bowl | Aluminum alloy\PC\Nylon |
| 7 | Meter cover | SPCC |
| 8 | Liquid meter inside cover | PC |
| 9 | Liquid meter seal | NBR |
| 10 | Liquid meter cover | SPCC |

GAF Series Filter

Flow chart



Dimensions



| Model\Item | A | B | BA | C | CA | K | KA | KB | KC | P | PA | Q |
|------------|------|------|----|-----|-------|-----|----|-----|------|------|-------|--------|
| GAF200-06 | 52.5 | 54.5 | 33 | 150 | 137 | 5.4 | 27 | 8.4 | 23 | 1/8" | 120 | M5X0.8 |
| GAF200-08 | 52.5 | 54.5 | 33 | 150 | 137 | 5.4 | 27 | 8.4 | 23 | 1/4" | 120 | M5X0.8 |
| GAF300-08 | 62.5 | 67.5 | 41 | 197 | 179 | 6.5 | 40 | 8 | 27 | 1/4" | 158 | G1/4 |
| GAF300-10 | 62.5 | 67.5 | 41 | 197 | 179 | 6.5 | 40 | 8 | 27 | 3/8" | 158 | G1/4 |
| GAF300-15 | 62.5 | 67.5 | 41 | 197 | 179 | 6.5 | 40 | 8 | 27 | 1/2" | 158 | G1/4 |
| GAF400-10 | 80 | 84 | 50 | 220 | 202.5 | 8.5 | 55 | 11 | 33.5 | 3/8" | 177.5 | G1/4 |
| GAF400-15 | 80 | 84 | 50 | 220 | 202.5 | 8.5 | 55 | 11 | 33.5 | 1/2" | 177.5 | G1/4 |
| GAF500-20 | 82 | 85 | 50 | 234 | 216.5 | 8.5 | 55 | 11 | 33.5 | 3/4" | 191.5 | G1/4 |
| GAF600-20 | 100 | 113 | 70 | 266 | 242 | 11 | 66 | 13 | 50 | 3/4" | 205 | G1/4 |
| GAF600-25 | 100 | 113 | 70 | 266 | 242 | 11 | 66 | 13 | 50 | 1" | 205 | G1/4 |