

# Preparation unit—G Series

## GA series of gas-distribution block



### Product feature

1. It is installed between GA series regulator (or filter & regulator) and G series Lubricator. The air flow is divided by the device that one enters Lubricator to supply oil for lubrication and the other (the second way) directly enters the equipment.
2. Several kinds of bracket can be selected to connect regulator and lubricator. Optional brackets are type T, type L and type U.

### Specification

Model	GA200-06	GA200-08	GA300-08	GA300-10	GA400-10	GA400-15	GA600-20	GA600-25
Fluid	Air							
Port size [Note 1]	1/8"	1/4"	1/4"	3/8"	3/8"	1/2"	3/4"	1"
Way number	Four							
Pressure range	0~1.0MPa(0~145psi)							
Proof pressure	1.5MPa(215psi)							
Temperature range	-20~70°C							

[Note 1] PT thread, G thread and NPT thread are available.

### Ordering code

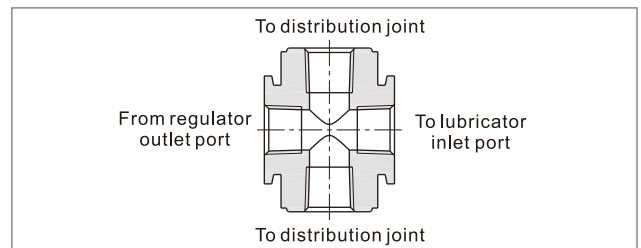
**GA200 08 G**

① ② ③

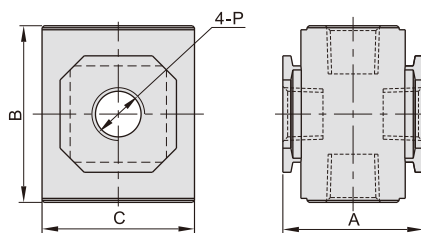
① Model	② Port size	③ Thread type
GA200: 200 Series gas-distribution block	06: 1/8" 08: 1/4"	Blank: PT G: G T: NPT
GA300: 300 Series gas-distribution block	08: 1/4" 10: 3/8"	
GA400: 400/500 Series gas-distribution block	10: 3/8" 15: 1/2"	
GA600: 600 Series gas-distribution block	20: 3/4" 25: 1"	

Note : When it is used with F.R.L. combination, extra mounting bracket needed. Please refer to P239 for order detail.

### Inner structure



### Dimensions



Model\Item	A	B	C	P	
GA200	06	28.5	36	30	1/8"
	08	28.5	36	30	1/4"
GA300	08	35	44	38	1/4"
	10	35	44	38	3/8"
GA400	10	42	52	52	3/8"
	15	42	52	52	1/2"
GA600	20	62	76	68	3/4"
	25	62	76	68	1"

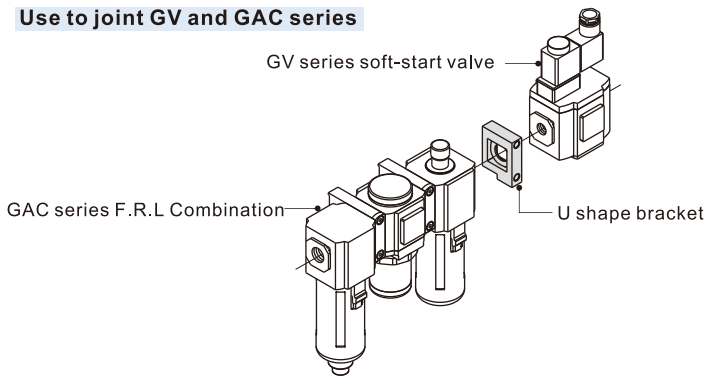
## Joint accessories—Bracket

### How to select the bracket

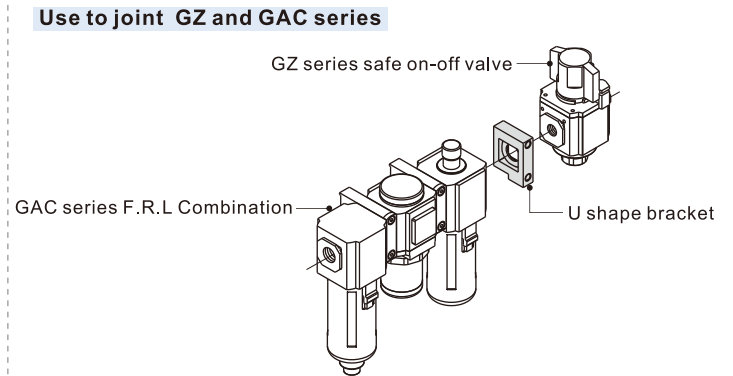
Bracket name	Code	Photo	Adapt accessories model		
T shape bracket	GA200T-P1		GV200	GZ200	GA200\GT200
	GA300T-P1		GV300	GZ300	GA300
	GA400T-P1		GV400	GZ400	GA400\GA500
	GA600T-P1		-	-	GA600
L shape bracket	GA200L-P1		GV200	GZ200	GA200\GT200
	GA300L-P1		GV300	GZ300	GA300
	GA400L-P1		GV400	GZ400	GA400\GA500
	GA600L-P1		-	-	GA600
U shape bracket	GA200U-P1		GV200	GZ200	GA200\GT200
	GA300U-P1		GV300	GZ300	GA300
	GA400U-P1		GV400	GZ400	GA400\GA500
	GA600U-P1		-	-	GA600

### How to use the bracket

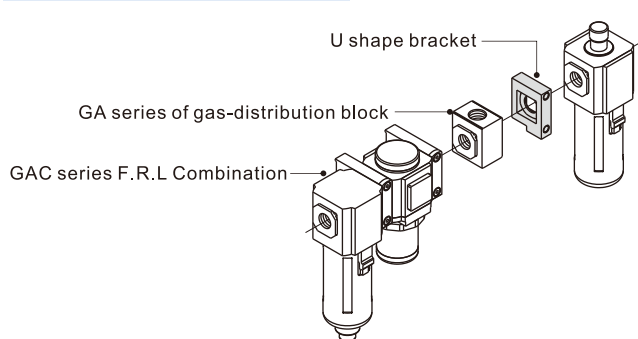
#### Use to joint GV and GAC series



#### Use to joint GZ and GAC series



#### Use to joint GA and GAC series



#### Use to joint GZ, GV and GAC series

