

F-DSUB25



Specification

1. Flame resistant grade: UL94 VW-1.
2. Rated temperature: 80°C.
3. Rated voltage: 300V.

How to select cable

Cable type\Valve type	CPV10S	CPV15S
F-DSUB25	•	•

Cable ordering code

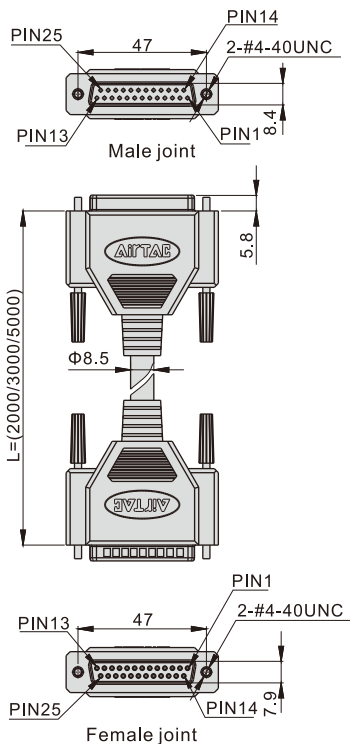
F - DSUB 25 F 200



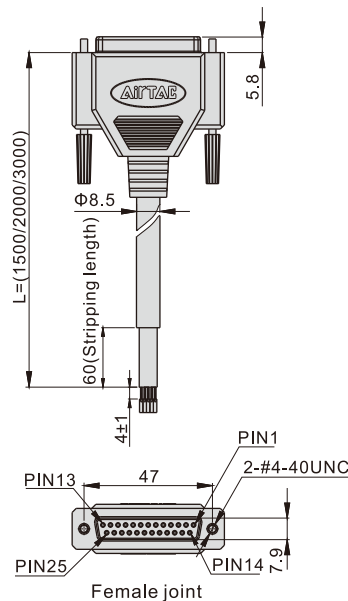
① Model	DSUB: D-SUB Cable					
② Pin Number	25: 25PIN					
③ Terminal type	F: Two Females		M: One Female+another male		S: One Female+another wire	
	200: 2m		300: 3m		500: 5m	
④ Wire length	200: 2m		300: 3m		500: 5m	
	150: 1.5m		200: 2m		300: 3m	

Dimensions and wire's assignment

F-DSUB25F(M)



F-DSUB25S



Wire's assignment

PIN	Color
1	Black
2	Tawny
3	Red
4	Orange
5	Yellow
6	Pink
7	Blue
8	Violet+White
9	Gray+Black
10	White+Black
11	White+Red
12	Yellow+Red
13	Orange+Red
14	Yellow+Black
15	Pink+Black
16	Blue+White
17	Violet
18	Gray
19	Orange+Black
20	Red+White
21	Tawny+White
22	Pink+Red
23	Gray+Red
24	Black+White
25	White