

Air valve (5/2 way, 5/3 way)

6A Series



Specification

Model	6A0510	6A0520	6A0530	6A110	6A120	6A130
Port size [Note1]	In=Out=Exh=M5			In=Out=Exh=M5(or=1/8")		
Orifice size(Cv) [Note4]	M5:3.4mm ² (0.2)		6A0530CM5: 2.2mm ² (0.13)	06:8.9mm ² (0.52)		6A130C06: 8.0mm ² (0.47)
Weight	20g	25g	30g	50g	60g	65g
Model	6A210	6A220	6A230	6A310	6A320	6A330
Port size [Note1]	In=Out=1/8"(or=1/4") Exh=1/8"			In=Out=3/8" Exh=1/4"		
Orifice size(Cv) [Note4]	08:15.4mm ² (0.91)		6A230C08: 14.2mm ² (0.84)	10:38.4mm ² (2.26)		6A330C10: 30.5mm ² (1.8)
Weight	120g	125g	135g	250g	290g	320g
Fluid	Air(to be filtered by 40µm filter element)					
Acting	External air control					
Operating pressure	5/3 way		0.2~0.8MPa(29~114psi)			
	5/2 way		0.15~0.8MPa(21~114psi)			
Proof pressure	1.2MPa(175psi)					
Temperature	-20~70°C					
Material of body	Aluminum alloy					
Lubrication [Note3]	Not required					
Max.frequency[Note2]	5 cycle/sec		3 cycle/sec	5 cycle/sec		3 cycle/sec

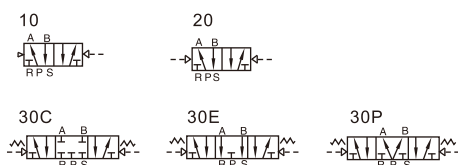
[Note1] PT, NPT, G thread are available.

[Note2] Once lubricated air is used, continue with same medium to optimise valve life span. Lubricants like ISO VG32 or equivalent are recommended.

[Note3] The maximum actuation frequency is in the no-load state.

[Note4] Equivalent orifice S and Cv are all calculated from the flow rate data.

Symbol



Product feature

1. Internal hole adopts special processing technology which has little attrition friction, low start pressure and long service life.
2. Can integrate manifold to form valve group to save space.

Ordering code

6A 2 10 08 □

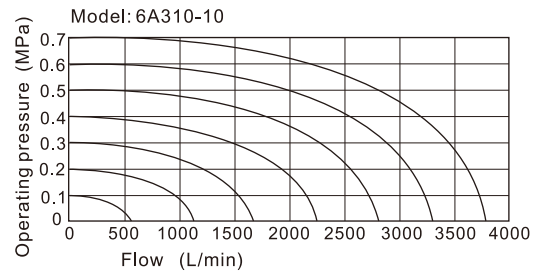
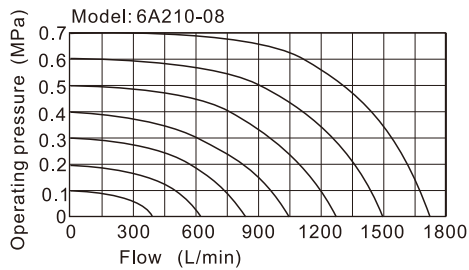
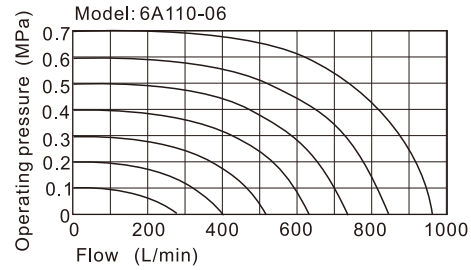
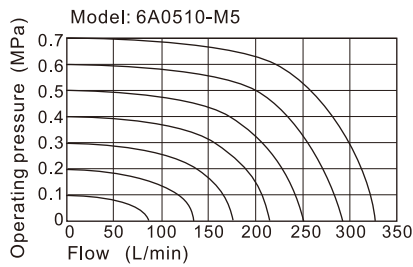


① Model	6A: Air valve (5/2, 5/3 way)					
② Code	05: 0500 Series	1: 100 Series		2: 200 Series		3: 300 Series
③ Valve type	10: Single air control 5/2 way			20: Double air control 5/2 way		
	30C : Double air control 5/3 way closed center			30E : Double air control 5/3 way exhaust center		
	30P : Double air control 5/3 way pressure center					
④ Port size	M5: M5	M5: M5	06: 1/8"	06: 1/8"	08: 1/4"	10: 3/8"
⑤ Thread type	Blank: PT / G: G Thread / T: NPT Thread					

Air valve (5/2 way, 5/3 way)

6A Series

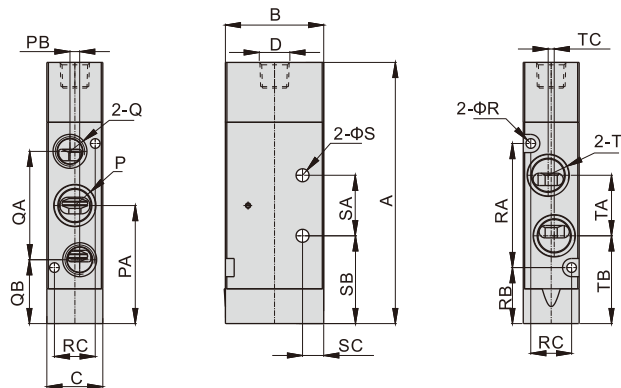
Flow chart



The data in flow rate chart are obtained from AirTAC lab.

Dimensions

- 6A0510
- 6A110
- 6A210
- 6A310

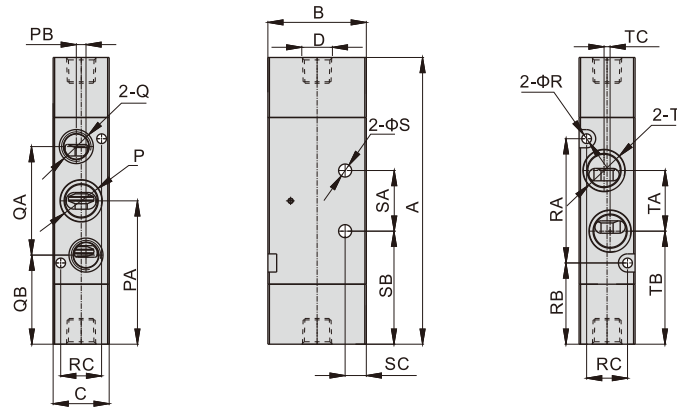


Model/Item	A	B	C	D	P	PA	PB	Q	QA	QB	R	RA	RB	RC	S	SA	SB	SC	T	TA	TB	TC
6A0510M5	50.5	21	10.6	M5x0.8	M5x0.8	22.5	1	M5x0.8	19	13	2.1	22.5	11.5	7.5	Φ2.6	10	17.5	4	M5x0.8	10.5	17.5	-
6A110M5	70.5	24	15.5	M5x0.8	M5x0.8	33	2.6	M5x0.8	28	19	2.6	34	16	11	Φ3.2	14	26	4	M5x0.8	16.5	24.5	-
6A11006	70.5	24	15.5	M5x0.8	1/8"	33	2.6	1/8"	28	19	2.6	34	16	11	Φ3.2	14	26	4	1/8"	16.5	24.5	-
6A21006	86.5	32.5	18.5	1/8"	1/8"	39	3.2	1/8"	36	21	3.2	41	18.5	13.5	Φ4.3	20	29	7	1/8"	20	29	2
6A21008	86.5	32.5	18.5	1/8"	1/4"	39	3.2	1/8"	36	21	3.2	41	18.5	13.5	Φ4.3	20	29	7	1/4"	20	29	2
6A31010	116	46	23.5	1/4"	3/8"	54	0	1/4"	50	29	3.2	64	22	18.5	Φ4.3	25	41.5	8	3/8"	33.5	37	0

Air valve (5/2 way, 5/3 way)

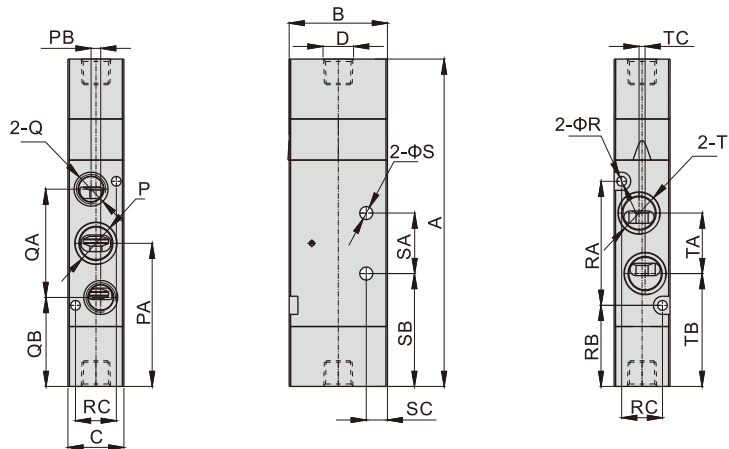
6A Series

6A0520
6A120
6A220
6A320



Model/Item	A	B	C	D	P	PA	PB	Q	QA	QB	R	RA	RB	RC	S	SA	SB	SC	T	TA	TB	TC
6A0520M5	55.5	21	10.6	M5x0.8	M5x0.8	28	1	M5x0.8	19	18	2.1	22.5	16.5	7.5	Φ2.6	10	22.5	4	M5x0.8	10.5	22.5	-
6A120M5	75	24	15.5	M5x0.8	M5x0.8	37.5	2.6	M5x0.8	28	24	2.6	34	20.5	11	Φ3.2	14	30.5	4	M5x0.8	16.5	29.5	-
6A12006	75	24	15.5	M5x0.8	1/8"	37.5	2.6	1/8"	28	24	2.6	34	20.5	11	Φ3.2	14	30.5	4	1/8"	16.5	29.5	-
6A22006	94.5	32.5	18.5	1/8"	1/8"	47.5	3.2	1/8"	36	29.5	3.2	41	27	13.5	Φ4.3	20	37.5	7	1/8"	20	37.5	2
6A22008	94.5	32.5	18.5	1/8"	1/4"	47.5	3.2	1/8"	36	29.5	3.2	41	27	13.5	Φ4.3	20	37.5	7	1/4"	20	37.5	2
6A32010	124	46	23.5	1/4"	3/8"	62	0	1/4"	50	37	3.2	64	30	18.5	Φ4.3	25	41.5	8	3/8"	33.5	45.5	0

6A0530
6A130
6A230
6A330



Model/Item	A	B	C	D	P	PA	PB	Q	QA	QB	R	RA	RB	RC	S	SA	SB	SC	T	TA	TB	TC
6A0530M5	64	21	10.6	M5x0.8	M5x0.8	28	1	M5x0.8	19	18	2.1	22.5	16.5	7.5	Φ2.6	10	22.5	4	M5x0.8	10.5	22.5	-
6A130M5	87	24	15.5	M5x0.8	M5x0.8	37.5	2.6	M5x0.8	28	24	2.6	34	20.5	11	Φ3.2	14	30.5	4	M5x0.8	16.5	29.5	-
6A13006	87	24	15.5	M5x0.8	1/8"	37.5	2.6	1/8"	28	24	2.6	34	20.5	11	Φ3.2	14	30.5	4	1/8"	16.5	29.5	-
6A23006	108	32.5	18.5	1/8"	1/8"	47.5	3.2	1/8"	36	29.5	3.2	41	27	13.5	Φ4.3	20	37.5	7	1/8"	20	37.5	2
6A23008	108	32.5	18.5	1/8"	1/4"	47.5	3.2	1/8"	36	29.5	3.2	41	27	13.5	Φ4.3	20	37.5	7	1/4"	20	37.5	2
6A33010	142	46	23.5	1/4"	3/8"	62	0	1/4"	50	37	3.2	64	30	18.5	Φ4.3	25	41.5	8	3/8"	33.5	45.5	0